



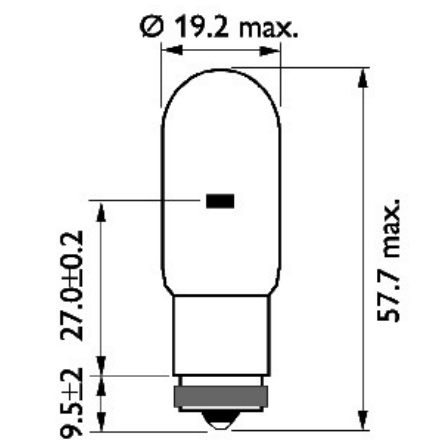
Medical / Incandescent

	Type SI7471 6V 30W Z16
	Ordering - No. 67471
Product Description	Special Incandescent Lamp
Features	Softglass Bulb, Exactly positioned Filament
Applications	Medical, Microscope, Analysis

Technical Details

Type	SI7471
Rated Voltage (V)	6
Wattage (W)	max. 33
Luminous Flux (lm)	575 - 12%
Lifetime B50 (h)	50
Base	Z16
Bulb Diameter (mm)	19.2 max
Light Center Length (mm)	27.0 ± 0,2
Operating Position	vertical, Base down (± 30°)
Packaging Configuration	100 pcs.
Environmental Remark	Product don't contain lead or mercury and is conform with Directive 2002/95/EC "Restriction of the use of certain hazardous substances in electrical and electronic equipment".

Drawing (in mm)



valid from	14.09.2018—V3—PN18/0182
replace for	05.03.2014—V2—PN14/0072
file	67471.100.pdf