



# PAR56 and PAR64

## PAR64 250W 28V VNSP

These self-contained spotlights are ideal for intensifying the visual experience in all kinds of clubs, that is because their accurate beam control picks out even the smallest of details even over long distances. This beam control makes the PAR 56 and PAR 64 excellent for long-range light projections. In addition, the universal burning feature provides complete flexibility of luminaires angle and position, while the front glass of the PAR56 provides thermal and physical protection. The result? Complete creative freedom to achieve the desired effect. Immediate re-strike also ensures instant resumption of entertainment after any power interruption.

### Product data

General Information	
Cap-Base	MULTIPURPOSE [ AKA:Screw Terminal]
ANSI Code	-
LIF Code	-
Operating Position	UNIVERSAL [ Any or Universal (U)]
Main Application	Flood and Ambient Lighting
Life To 50% Failures (Min)	50 h
Nominal Lifetime (Nom)	50 h

Light Technical	
Luminous Intensity (Max)	500000 cd
Beam Description	Very Narrow Spot
Correlated Color Temperature (Nom)	3200 K

Operating and Electrical	
Power (Rated) (Nom)	250 W

Voltage (Nom)	28 V
---------------	------

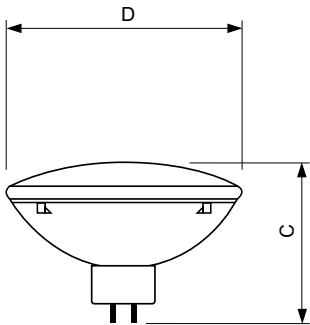
Mechanical and Housing	
Cap-Base Information	-

Product Data	
Full product code	872790081274900
Order product name	PAR64 250W 28V VNSP
EAN/UPC - Product	8727900812749
Order code	924783221704
Numerator - Quantity Per Pack	1
Numerator - Packs per outer box	6
Material Nr. (12NC)	924783221704
Net Weight (Piece)	0.760 kg

## PAR56 and PAR64

### Dimensional drawing



PAR64 250W 28V VNSP

Product	D (max)	C (max)
PAR64 250W 28V VNSP	204 mm	150 mm

