



# MASTERColour CDM-TC Elite



## MASTERC CDM-TC Elite 35W/942 G8.5 1CT

Compact, single-ended, very high-efficiency, long-life ceramic metal-halide discharge lamp producing crisp white sparkling light with high color rendering

### Warnings and Safety

- Use only in totally enclosed luminaire, even during testing (IEC61167, IEC 62035, IEC60598)
- The luminaire must be able to contain hot lamp parts if the lamp ruptures
- Use only with electronic control gear
- Control gear must include end-of-life protection (IEC61167, IEC 62035)
- A lamp breaking is extremely unlikely to have any impact on your health. If a lamp breaks, ventilate the room for 30 minutes and remove the parts, preferably with gloves. Put them in a sealed plastic bag and take it to your local waste facilities for recycling. Do not use a vacuum cleaner.

### Product data

General Information		Color rendering index (CRI)	
Cap-Base	G8.5 [G8.5]		90
Operating Position	UNIVERSAL [Any or Universal (U)]	Operating and Electrical	
Flux measurement reference	Sphere	Power Consumption	39.1 W
Life to 50% Failures (Nom)	15,000 hour(s)	Voltage (Nom)	91 V
		Voltage (Nom)	91 V
Light Technical		Controls and Dimming	
Color Code	942 [CCT of 4200K]	Dimmable	No
Luminous Flux	3,800 lumen	Mechanical and Housing	
Color Designation	Cool White (CW)	Bulb Finish	Clear
Chromaticity Coordinate X (Nom)	0.371	Bulb Shape	T14 [T 14 mm]
Chromaticity Coordinate Y (Nom)	0.366		
Correlated Color Temperature (Nom)	4200 K		
Luminous Efficacy (rated) (Nom)	97 lm/W		

# MASTERC colour CDM-TC Elite

## Approval and Application

Energy Efficiency Class	F
Mercury (Hg) Content (Max)	4.9 mg
Mercury (Hg) Content (Nom)	4.9 mg
Energy Consumption kWh/1000 h	40 kWh
EPREL Registration Number	473274

## Product Data

Full product code	871829116366400
Order product name	MASTERC CDM-TC Elite 35W/942 G8.5 1CT

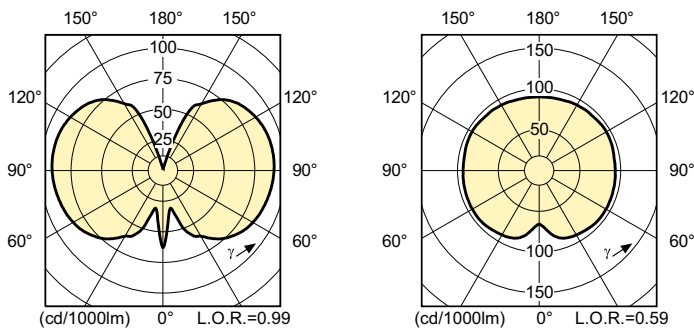
Order code	928193805131
Numerator - Quantity Per Pack	1
Numerator - Packs per outer box	12
Material Nr. (12NC)	928193805131
Full product name	MASTERC CDM-TC Elite 35W/942 G8.5 1CT
EAN/UPC - Case	8718291163671
EAN/UPC - Product/Case	8718291163664

## Dimensional drawing

D

Product	D (max)	O	L (min)	L (max)	L	C (max)
MASTERC CDM-TC Elite 35W/942 G8.5 1CT	15 mm	5.2 mm	51 mm	53 mm	52 mm	85 mm

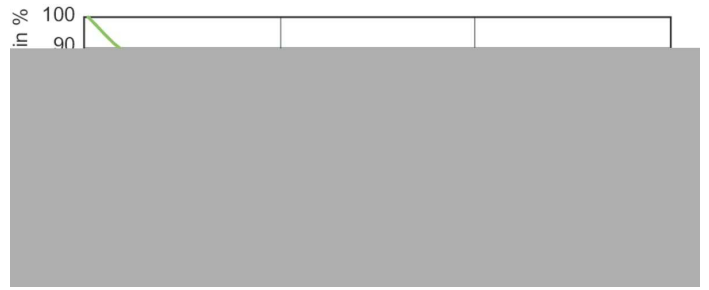
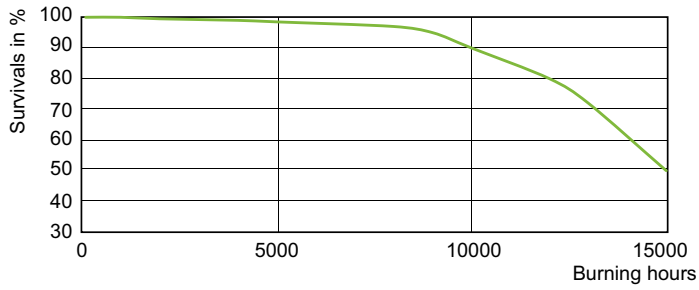
## Photometric data



Light Distribution Diagram - MASTERC CDM-TC Elite 35W/942 G8.5 1CT

# MASTERC colour CDM-TC Elite

## Lifetime



Life Expectancy Diagram - MASTERC CDM-TC Elite 35W/942 G8.5 1CT

Lumen Maintenance Diagram - MASTERC CDM-TC Elite 35W/942 G8.5 1CT

