

LuxSense

LRL1220 TL-D

LuxSense is a Daylight Regulation option (DLR) for luminaires equipped with a Philips HF-R 1-10V ballast. The sensor measures the reflected light coming from the surface below. It dims down the lamp output when the light level exceeds the required light level defined by the light sensor set point. With a clip the LuxSense can be directly clicked on the TL-D lamp.

Product data

• General Characteristics

Design TL-D

• Operating Characteristics

Minimum dim level 1.5V

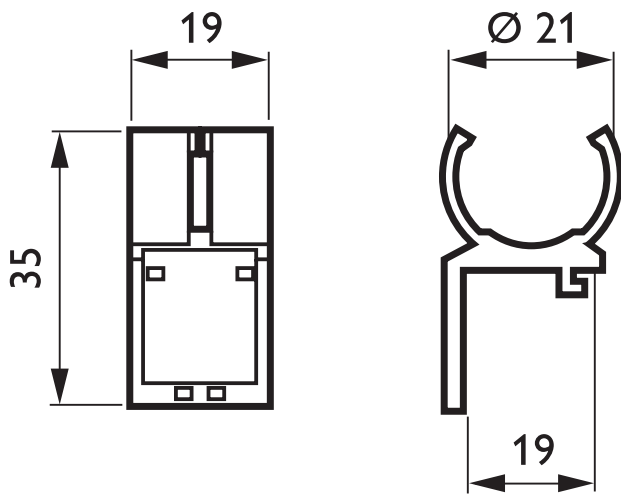
• Product Data

Order code 913700182282
Full product code 913700182282
Full product name LRL1220 TL-D

Order product name LRL1220 TL-D
Pieces per pack 1
Packing configuration 100
Packs per outerbox 100
Bar code on pack - EAN1 8711559670126
Bar code on outerbox - EAN3 8711559670133
Logistic code(s) - 12NC 913700182282
Net weight per piece 0.024 kg

PHILIPS

Dimensional drawing



LRL1220 TL-D



© 2014 Koninklijke Philips N.V. (Royal Philips)
All rights reserved.

Specifications are subject to change without notice. Trademarks are the property of Koninklijke Philips N.V. (Royal Philips) or their respective owners.

www.philips.com/lighting

2014, April 11
data subject to change