



Medical



Type SH5930
12V 65W G6,35-15

Ordering - No.
55930

Product Description

Special Halogen Lamp

Features

Quartz Bulb, Exactly positioned Filament, Blue Top

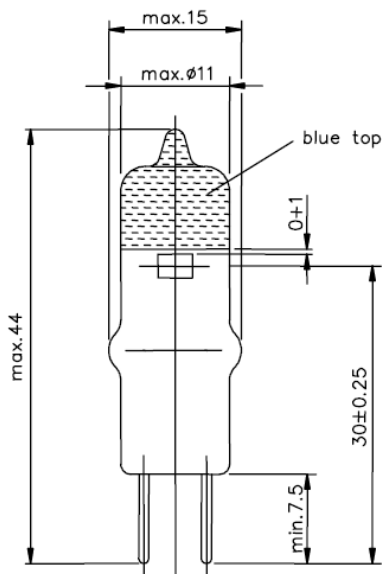
Applications

Medical, Microscope, Analysis

Technical Details

Type	SH5930
Rated Voltage (V)	12
Wattage (W)	max. 71,5
Luminous Flux (lm)	1300 ± 12%
Average Lifetime (h)	2000
Base	G6,35-15
Overall Length (mm)	max. 44
Bulb Diameter (mm)	max. 11
Light Center Length (mm)	30 ± 0,25
Operating Position	s90
Packaging Configuration	100 pcs.
Environmental Remark	Product don't contain lead or mercury and is conform with Directive 2002/95/EC "Restriction of the use of certain hazardous substances in electrical and electronic equipment".

Drawing (in mm)



valid from	05.03.2014—V2—PN14/0072
replace for	29.01.2013—V1
file	55930.100.pdf

MULTI-LITE GMBH is an official German distributor
for OSRAM, LEDVANCE, PHILIPS, GE and SLI
light bulbs and takes over your complete warranty
handling in case of damaged lamps or early failures.

Do you have any questions regarding this lamp or a fitting
replacement lamp?

Or would you like to get a manufacturer independent
consultancy?

We are looking forward hearing from you!

More information here:

Phone: **+49 40 / 66 99 30 - 0**

Fax: **+49 40 / 66 99 30 - 99**

Email: **global@multi-lite.com**

Web: **www.multi-lite.com**

MULTI-LITE Lichttechnik Handels GmbH
Managing Director: Wolfgang Massow
Senefelder-Ring 61
21465 Reinbek near Hamburg
Germany

**We stock almost every
specialty lamp ...!
Get in contact with us.**