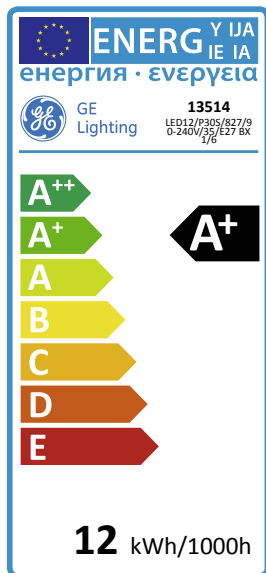




GE
Lighting



12
kWh/1000h

A+
energy class

75
lumens/watt

GE Energy Smart™ PAR30 LED12/P30S/827/90-240V/35/E27 BX 1/6 **13514**

Product information

GE's new LED PAR range combines a high intensity spotlight beam with substantial energy savings. The PAR30 design delivers more than a dazzling 7,000 candelas and 85W equivalent Lumen output from only 12W of power, saving nearly 90% in energy consumption. Additionally, the 40,000 hours L70 life time offers significant reduction to maintenance costs by sharply reducing replacement frequency.

Application areas

Retail

Hospitality



Product data

Cap/Base	E27
Bulb Shape	PAR
Bulb Finish	Coated
Bulb Diameter [mm]	95.25029
Bulb maximum overall diameter [mm]	97
Maximum Overall Length [mm]	95
Net weight per piece [g]	250
Gross weight per piece [g]	407
Brand	General Electric (GE)

Performance data

Colour Rendering Index (CRI) [Ra]	84
Nominal correlated colour temperature (CCT) [K]	2700
Nominal beam angle [°]	35
Rated beam angle [°]	35
Nominal center beam candlepower (CBCP) [cd]	2500
Nominal lumens [lm]	900
Rated Lumens [lm]	850
Useful lumens (at 90° cone) [lm]	850
Energy efficiency class (EEC)	A+
Rated life L70/B50 [h]	40000
Weighted energy consumption [kWh/1000h]	12

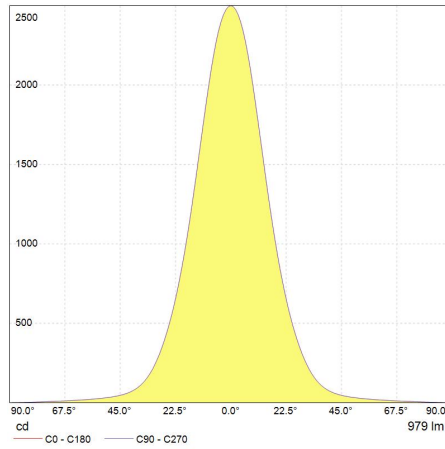
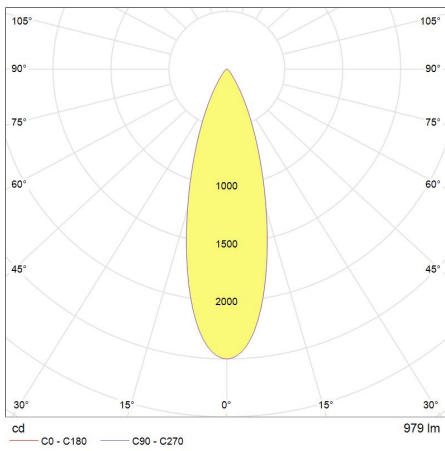
Electrical data

Nominal power [W]	12
Rated power [W]	12
Nominal lamp power factor	0.9
Nominal lamp voltage [V]	230
Lamp Current [A]	0.15
Operating Temperature (MAX) [°C]	40
Run-up time (sec)	<1s
Starting time (sec)	<0.5s
Number of switching cycles	40000

Logistic data

DUN Code	10043168135143
EAN Code	43168135146
Pack Quantity	6
Inner pack type	BOX
Layer quantity	66 EUR, 78 UK
Layer quantity EUR	66
Layer quantity UK	78
Pallet quantity EUR (PC)	462
Pallet quantity UK (PC)	546
Outer case size	334 x 223 x 143 (mm)

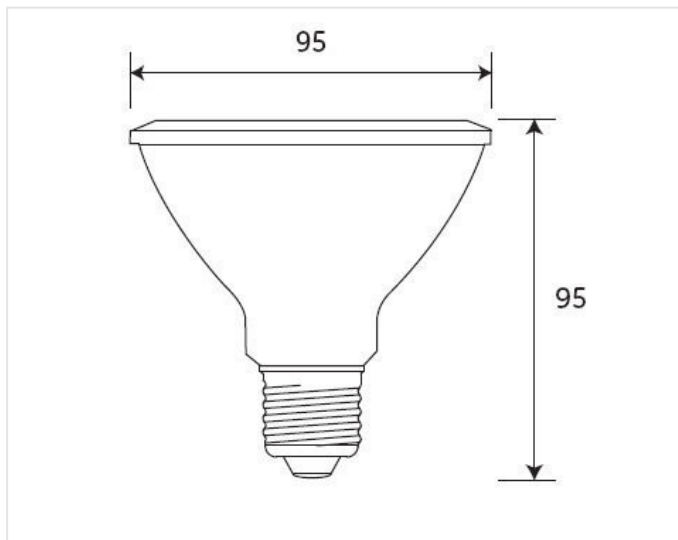
Photometric Data



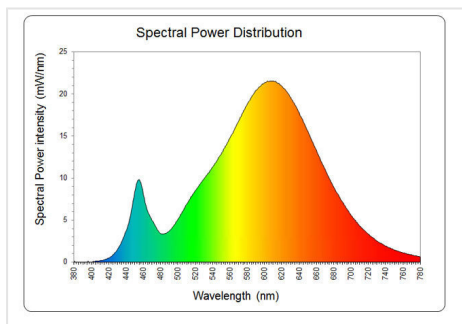
Distance [m]	Cone diameter [m]	E(0°) E(C0)	15.7°	10000 4474
0.5	0.28	E(0°) E(C0)	15.7°	2500 1119
1.0	0.56	E(0°) E(C0)	15.7°	1111 497
1.5	0.84	E(0°) E(C0)	15.7°	625 280
2.0	1.12	E(0°) E(C0)	15.7°	400 179
2.5	1.41	E(0°) E(C0)	15.7°	278 124
3.0	1.69	E(0°) E(C0)	15.7°	200 90

Distance [m] Cone diameter [m] Illuminance [lx]
C0 - C180 (Half-value angle: 31.4°)

Technical drawing



Spectral distribution



Downloads & Links

[Go to the catalog site \(HTTP\)](#)

[Photometry \(IES\)](#)

[LED Lighting Solutions - Catalogue \(EN\) \(PDF\)](#)

[LED PAR20/30/38 Lamps - Data sheet \(PDF\)](#)

[Dimming compatibility \(HTTP\)](#)

[Lighting design tools & calculators \(HTTP\)](#)

[PAR/Reflector range Datasheets \(HTTP\)](#)

[GE Energy Smart™ PAR30 \(HTTP\)](#)

[Certificate for the Quality Management System of GE Lighting EMEA \(PDF\)](#)

[Certificate for the Environmental Management System of GE Lighting EMEA \(PDF\)](#)