




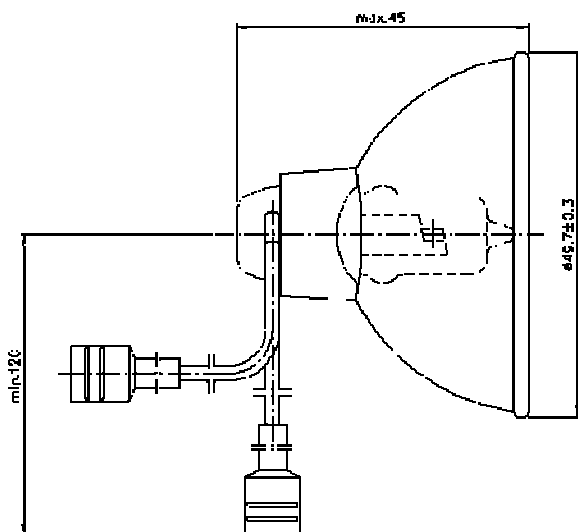
## Airfield Halogen Dichroic Reflector

	<b>Type 58356</b> <b>6,6A 48W cable flat female</b>
	<b>Ordering – No.</b> <b>58356</b>
<b>Product description</b>	Halogen Airfield Lamp with integrated reflector
<b>Features</b>	high and constant lumen output, long lifetime, excellent optical adjustment, strong focus light
<b>Applications</b>	Approach and threshold lights Runway and taxiway lights Airport Signs Stop bar and touchdown zone lights

### Technical Details

Rated current (A)	6,6
Wattage (W)	48 +/- 10%
Axial Light Intensity (kcd)	min. 23
Reflector type	MR16
Average lifetime (hours)	1500
Base	flexible cable
Cable connector	flat female according DIN 46247
Cable length (mm)	min. 120
Maximum Overall Length (mm)	max. 45
Reflector Diameter (mm)	49,7 +/-0,3
Maximum allowed cable temperature (°C)	250
Maximum allowed pinch temperature (°C)	350
Filament Type	C-8
Burning Position	S90
Chromaticity	within white boundaries
Packaging quantity	100pcs.
Environmental remark	Product don't contain lead or mercury and is conform with Directive 2011/65/EC "Restriction of the use of certain hazardous substances in electrical and electronic equipment".

### Drawing (in mm)



valid from	05.06.2015—V1—PN15/0256
replace for	-
file	58356.100.pdf

MULTI-LITE GMBH is an official German distributor  
for OSRAM, LEDVANCE, PHILIPS, GE and SLI  
light bulbs and takes over your complete warranty  
handling in case of damaged lamps or early failures.

Do you have any questions regarding this lamp or a fitting  
replacement lamp?

Or would you like to get a manufacturer independent  
consultancy?

We are looking forward hearing from you!

More information here:

Phone: **+49 40 / 66 99 30 - 0**

Fax: **+49 40 / 66 99 30 - 99**

Email: **[global@multi-lite.com](mailto:global@multi-lite.com)**

Web: **[www.multi-lite.com](http://www.multi-lite.com)**

MULTI-LITE Lichttechnik Handels GmbH  
Managing Director: Wolfgang Massow  
Senefelder-Ring 61  
21465 Reinbek near Hamburg  
Germany

**We stock almost every  
specialty lamp ...!  
Get in contact with us.**