
Product datasheet

P DIM PAR16 4.5 W/927 GU10

PARATHOM DIM PAR 16 | Dimmable LED reflector lamps PAR16 with retrofit pin base



Product datasheet

Technical data

Electrical data

Claimed equiv. conventional lamp power	50 W
Operating frequency	50/60 Hz
Nominal current	27 mA

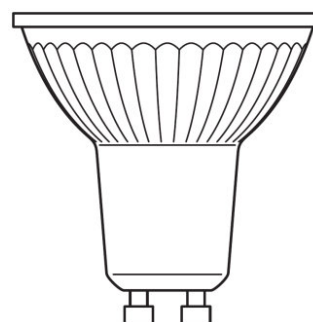
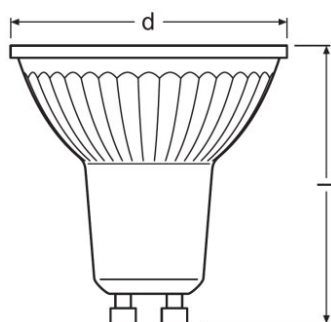
Photometrical data

Luminous intensity	690 cd
Light color (designation)	Warm White
Nominal useful luminous flux 90°	350 lm
Rated peak intensity	690 cd
Luminous flux	350 lm

Light technical data

Beam angle	36 °
Rated beam angle (half peak value)	36.00 °

Dimensions & weight



Overall length	54.00 mm
Product weight	41.00 g
Maximum diameter	51 mm

Temperatures & operating conditions

Ambient temperature range	-20...+40 °C
---------------------------	--------------

Lifespan

Lumen maintenance at end of service life	0.7
--	-----

Product datasheet

Additional product data

Mercury content	0.0 mg
Mercury-free	Yes
Appropriate disposal acc. to WEEE	Yes
Product remark	All technical parameters apply to the entire lamp Due to the complex production process for light-emitting diodes, the typical values shown for the technical LED parameters are purely statistical values that do not necessarily match the actual technical parameters of each individual product, which can vary from the typical value

Certificates & standards

Energy efficiency class	F
Energy consumption	5.00 kWh/1000h

Environmental information

Information according Art. 33 of EU Regulation (EC) 1907/2006 (REACH)	
Date of Declaration	15-03-2023
Primary Article Identifier	4058075608337 4058075797857
Declaration No. in SCIP database	In work

Ecodesign regulation information:

Separate control gear and light sources must be disposed of at certified disposal companies in accordance with Directive 2012/19/EU (WEEE) in the EU and with Waste Electrical and Electronic Equipment (WEEE) Regulations 2013 in the UK. For this purpose, collection points for recycling centres and take-back systems (CRSO) are available from retailers or private disposal companies, which accept separate control gear and light sources free of charge. In this way, raw materials are conserved and materials are recycled.

Logistical Data

Product code	Product description	Packaging unit (Pieces/Unit)	Dimensions (length x width x height)	Volume	Gross weight
4058075608337	P DIM PAR16 4.5 W/927 GU10	Shipping carton box 10 Pieces Folding carton box	257 mm x 110 mm x 70 mm	1.98 dm ³	528.00 g
4058075797857	P DIM PAR16 4.5 W/927 GU10	Shipping carton box 10 Pieces Folding carton box	255 mm x 107 mm x 72 mm	1.96 dm ³	500.00 g

The mentioned product code describes the smallest quantity unit which can be ordered. One shipping unit can contain one or more single products. When placing an order, for the quantity please enter single or multiples of a shipping unit.

Product datasheet

References / Links

For dimming conformity see

- ▶ www.osram.com/DIM

For further products and actual information concerning LED lamps see

- ▶ www.osram.com/ledlamps

For Guarantee see

- ▶ www.osram.com/guarantee

Disclaimer

Subject to change without notice. Errors and omission excepted. Always make sure to use the most recent release.

OSRAM is distribution partner
of LEDVANCE of LAMPS

OSRAM

OSRAM GmbH
Marcel-Breuer-Strasse 6
80807 Munich, Germany