



# CoreLine panel

## RC133V G5 36S/840 WIA W62L62 OC

CoreLine panel, 28.5 W, 620x620 mm, 3600 lm, 4000 K, Wireless, Interact Ready, UGR19

Philips CoreLine panel Gen5 delivers on the CoreLine promise of innovation, easy installation and excellent illumination. Designed as a direct replacement for functional luminaires in general lighting applications, this LED panel light's innovative MultiLumen feature offers a choice of three lumen packages in a single luminaire. This makes it easy to select the right product, gives you the flexibility respond to customer preferences on site, and means fewer product codes on stock. Installing this CoreLine RC132V LED panel is quick and easy too, thanks to a quick connector or Wieland connector. Interact Ready luminaires with integrated wireless communications are also available in this CoreLine range, ready to be used with Interact gateways, sensors and software.

### Product data

General Information		EU RoHS compliant	
Light source replaceable	No		Yes
Number of gear units	1 unit	Light Technical	
Driver included	Yes	Luminous Flux	3,600 lm
Connectivity	Interact Ready	Saturated Red (R9)	<50
Lighting Technology	LED	Correlated Color Temperature (Nom)	4000 K
Value ladder	Performance	Luminous Efficacy (rated) (Nom)	126 lm/W
CE mark	Yes	Color rendering index (CRI)	≥80
Warranty period	5 years	Flickering value (PstLM) - Flickering value as per EN 61000-3-3	1
Flammability mark	For mounting on normally flammable surfaces	Stroboscopic effect visibility measure (SVM)	0.4
ENEC mark	ENEC mark	Light source color	840 neutral white
Glow-wire test	Temperature 650 °C, duration 30 s	Optic type	Beam angle 90°

## CoreLine panel

Luminaire light beam spread	90°
Unified glare rating CEN	19

### Operating and Electrical

Input Voltage	220-240 V
Line Frequency	50 or 60 Hz
Inrush current	4.8 A
Inrush time	0.056 ms
Power Consumption	28.5 W
Power Factor (Fraction)	0.9
Connection	Push-in connector 3-pole
Cable	-
Number of products on MCB of 16 A type B	50

### Temperature

Ambient temperature range	-10 to +35 °C
---------------------------	---------------

### Controls and Dimming

Dimmable	Yes
Driver/power unit/transformer	Wireless driver Interact System ready
Control interface	Wireless
Constant light output	No

### Mechanical and Housing

Housing Material	Steel
Reflector material	Acrylate
Optic material	Polystyrene
Optical cover material	Acrylate
Fixation material	-
Housing Color	White
Optical cover finish	Microprismatic lens
Overall length	620 mm
Overall width	620 mm
Overall height	35 mm
Dimensions (Height x Width x Depth)	35 x 620 x 620 mm

### Approval and Application

Ingress protection code	IP20 [Finger-protected]
-------------------------	-------------------------

Mech. impact protection code	IK02 [0.2 J standard]
Sustainability rating	-
Protection class IEC	Safety class II
Photobiological risk	Photobiological risk group 0 @200mm to EN62778
Photobiological risk specification	0.2 m

### Initial Performance (IEC Compliant)

Luminous flux tolerance	+/-10%
Initial chromaticity	(0.38, 0.38) SDCM ≤3
Power consumption tolerance	+/-10%

### Over Time Performance (IEC Compliant)

Control gear failure rate at median useful life 50000 h	5 %
Lumen maintenance at median useful life* 50000 h	L90
Lumen maintenance at median useful life* 100000 h	L80

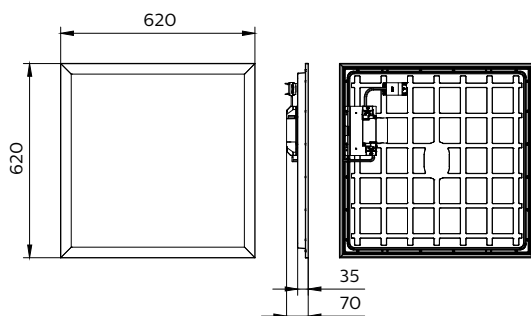
### Application Conditions

Performance ambient temperature Tq	25 °C
Maximum dim level	1%
Suitable for random switching	Yes

### Product Data

Order product name	RC133V G5 36S/840 WIA W62L62 OC
Full product name	RC133V G5 36S/840 WIA W62L62 OC
Full product code	872016950197300
Order code	911401824085
Material Nr. (12NC)	911401824085
Numerator - Quantity Per Pack	1
EAN/UPC - Product/Case	8720169501973
Numerator - Packs per outer box	1
EAN/UPC - Case	8720169501973

## Dimensional drawing



## CoreLine panel

