



# CoreLine panel

## RC132V G5 36S/840 PSU W60L60 OC

CoreLine panel, 28.5 W, 600x600 mm, 3600 lm, 4000 K, UGR19

Whether for a new building or renovation of an existing space, customers want lighting solutions that provide quality of light and substantial energy and maintenance savings. The new CoreLine Panel range of LED products can be used to replace functional luminaires in general lighting applications. Both Non-Office Compliant (NOC) version and Office Compliant version (OC) are now available. The process of selecting, installing and maintaining is so easy – it's a simple switch. Also available as an Interact Ready wireless CoreLine luminaire panel that works with Interact Pro lighting software and InteractReady devices to provide a connected lighting system for SMEs

### Product data

General Information		Saturated Red (R9)	
Light source replaceable	No		<50
Number of gear units	Unit	Correlated Colour Temperature	4000 K
Driver included	Yes	Luminous efficacy (rated) (nom.)	125 lm/W
Lighting Technology	LED	Colour rendering index (CRI)	≥80
Value ladder	Performance	Flickering value (PstLM)	1
CE mark	Yes	Stroboscopic effect	0.4
Warranty period	5 years	Light source colour	840 neutral white
Flammability mark	For mounting on normally flammable surfaces	Optic type	Beam angle 90°
ENEC mark	ENEC mark	Luminaire light beam spread	90°
Glow-wire test	Temperature 650 °C, duration 30 s	Unified Glare Rating (CEN)	19
EU RoHS compliant	Yes	Operating and Electrical	
Light Technical		Input Voltage	220-240 V
Luminous Flux	3,600 lm	Line Frequency	50 or 60 Hz
		Inrush current	16 A
		Inrush time	0.2 ms

## CoreLine panel

Power Consumption	28.5 W
Power Factor (Fraction)	0.9
Connection	Push-in connector 3-pole
Cable	-
Number of products on MCB of 16 A type B	21

### Temperature

Ambient temperature range	-10 to +40 °C
---------------------------	---------------

### Controls and Dimming

Dimmable	No
Driver/power unit/transformer	Power supply unit (On/Off)
Control interface	-
Constant light output	No

### Mechanical and Housing

Housing material	Steel
Reflector material	Acrylate
Optic material	Polystyrene
Optical cover/lens material	Acrylate
Fixation material	-
Housing Colour	White
Optical cover/lens finish	Microprismatic lens
Overall length	595 mm
Overall width	595 mm
Overall height	62 mm
Dimensions (height x width x depth)	62 x 595 x 595 mm

### Approval and Application

Ingress protection code	IP20/44 [Finger-protected; wire-protected, splash-proof]
Mech. impact protection code	IK03 [0.3 J]
Sustainability rating	-
Protection class IEC	Safety class II

Photobiological risk	Photobiological risk group 0 @200mm to EN62778
Photobiological risk specification	0.2 m

### Initial Performance (IEC Compliant)

Luminous flux tolerance	+/-10%
Initial chromaticity	(0.38, 0.38) SDCM≤3
Power consumption tolerance	+/-10%

### Over Time Performance (IEC Compliant)

Control gear failure rate at median useful life 50,000 h	5 %
Lumen maintenance at median useful life* 50,000 h	L90
Lumen maintenance at median useful life* 100,000 h	L80

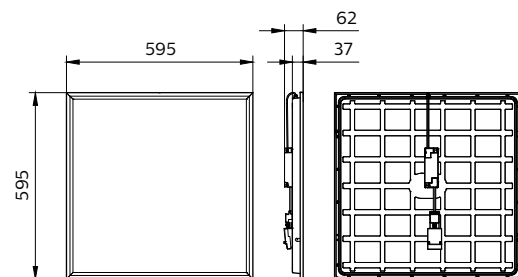
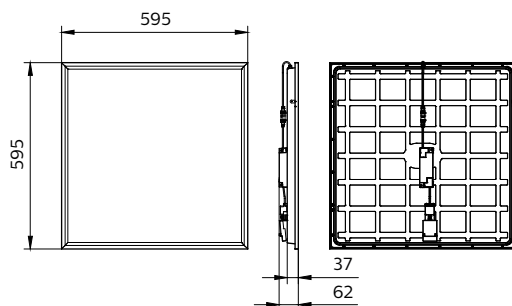
### Application Conditions

Performance ambient temperature Tq	25 °C
Suitable for random switching	Yes

### Product Data

Order product name	RC132V G5 36S/840 PSU W60L60 OC
Full product name	RC132V G5 36S/840 PSU W60L60 OC
Full EOC	871951495005400
Order code	95005400
Material no. (12 NC)	911401841184
SAP numerator – quantity per pack	1
EAN/UPC – Product/Case	8719514950054
Numerator – packs per outer box	1
EAN/UPC – Case	8719514950054

## Dimensional drawing



## CoreLine panel

