



Clearflood gen2

BVP657 LED930-4S/740 PSU A65-WB ALU

Clearflood gen2, 530 W, 70450 lm, 4000 K, CRI70, Asymmetrical, IP66

This new generation of Clearflood range brings the total cost of ownership of your project to the next level. The range comes in 3 sizes (BVP655, BVP656, BVP657) with several finishing and serviceability options, and leverages on the light engine of our Recreational Sports & Area flagship floodlight. This light engine is optimized for sports applications, as well as large areas, such as logistical hubs, outdoor car parks and storage area. Now an innovative design approach allows the availability of connected options such as the SR socket, fully integrated on the floodlight housing, and a multi-sensor on the bracket. The product range is compatible with Interact systems.

Product data

General Information		Operating and Electrical	
Lamp family code	LED930 [LED module 93000 lm]	Luminous Efficacy (rated) (Nom)	145 lm/W
Number of gear units	3 units	Color rendering index (CRI)	70
Driver included	Yes	Light source color	740 neutral white
Light source engine type	LED	Luminaire light beam spread	5° - 13° x 128°
Service tag	Yes	Optic type outdoor	Asymmetrical
Value ladder	Specification	Effective projected area	0.37 m²
Warranty period	5 years		
Sustainability rating	Lighting for circularity		
Light Technical			
Upward light output ratio	0	Input Voltage	230 V
Luminous Flux	70,450 lm	Line Frequency	50 to 60 Hz
Correlated Color Temperature (Nom)	4000 K	Inrush current	77 A
		Inrush time	150 ms
		Power Consumption	530 W
		Power Factor (Fraction)	0.99

Clearflood gen2

Connection	Connection unit 3-pole
Cable	-
Number of products on MCB of 16 A type B	3
Protection class IEC	Safety class I
Surge Protection (Common/Differential)	6/8 kV
Total harmonic distortion	6 %

Controls and Dimming

Dimmable	No
Driver/power unit/transformer	Power supply unit
Control interface	-
Constant light output	No

Mechanical and Housing

Housing Material	Aluminium
Reflector material	-
Optic material	Acrylate
Optical cover material	Glass
Fixation material	Aluminum
Housing Color	Aluminum
Mounting device	Mounting bracket adjustable
Optical cover shape	Flat
Optical cover finish	Clear
Overall length	711 mm
Overall width	720 mm
Overall height	139 mm
Dimensions (Height x Width x Depth)	139 x 720 x 711 mm
Ingress protection code	IP66 [Dust penetration-protected, jet-proof]
Mech. impact protection code	IK08 [5 J vandal-protected]
Standard tilt angle posttop	-
Standard tilt angle side entry	-
Optical cover type	Clear glass
Net Weight (Piece)	26.000 kg

Approval and Application

Flammability mark	-
CE mark	Yes
ENEC mark	ENEC plus mark
EU RoHS compliant	Yes
Performance ambient temperature Tq	25 °C
Ambient temperature range	-40 °C to 50 °C

Initial Performance (IEC Compliant)

Luminous flux tolerance	+/-7%
Initial chromaticity	(0.329,0.342)
Power consumption tolerance	+/-10%
Init. Color Rendering Index Tolerance	-2

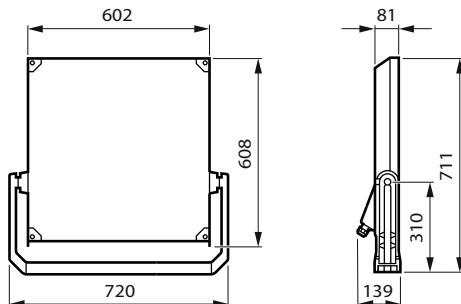
Over Time Performance (IEC Compliant)

Control gear failure rate at median useful life 100000 h	10 %
Lumen maintenance at median useful life* 100000 h	L94

Product Data

Order product name	BVP657 LED930-4S/740 PSU A65-WB ALU
Full product name	BVP657 LED930-4S/740 PSU A65-WB ALU
Full product code	872016979626300
Order code	912300060565
Material Nr. (12NC)	912300060565
Numerator - Quantity Per Pack	1
EAN/UPC - Product/Case	8720169796263
Numerator - Packs per outer box	1
EAN/UPC - Case	8720169796263
Product family code	BVP657 [CLEARFLOOD GEN2 LARGE]

Dimensional drawing



Clearflood gen2

