



Light is performance  
Lamps and LED luminaires  
for studio, stage and TV

Light is OSRAM



## Setting the stage for great art

Stage fright? Not any more. Our products for studio, stage and TV guarantee a smooth and dynamic lighting design – and they offer award-winning technologies. We provide the perfect supporting cast in the form of HMI®, HPL®, Lok-it!®, studio halogen lamps and LED luminaires. Our powerful and effective lighting solutions will benefit the entertainment industry at every level, from professional film productions to small theatrical events. Prestigious awards – such as the Oscar®, the Primetime Emmy® Engineering Award and the PLASA Innovation Award – have encouraged us to maintain the highest standards in lighting for the entertainment industry. Our many years of experience, broad product range and history of innovation provide the perfect platform for continued success. OSRAM LED luminaires prove once again our expertise in these matters.



HMI® lamps for film and television were awarded in Hollywood an OSCAR® in 1987. Since 1928 OSRAM has been producing lamps for stage lighting, film work and cinema projection.



Acknowledging its outstanding performance in developing HMI® technology for the TV industry, OSRAM has been awarded the Primetime Emmy® Engineering Award by the Academy of Television Arts & Sciences.



# Light is entertainment in full spectrum

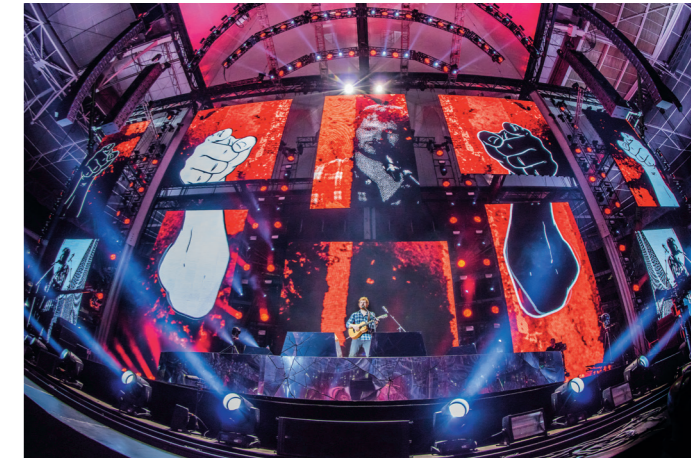
Stage performances, light shows, theatre and opera, clubs, TV studios – there’s a growing number of applications high performance lamps need to cover. That is why we have enhanced our Lok-it!® Power Series family to meet an even broader range of applications. Now there are specific lamps suited to the specific needs of the production – all easily identifiable from one another by the name, label, and the lamp base itself.



Light is enthusiasm. Celebrations at the Brandenburg Gate in Berlin, Germany, marking the 25<sup>th</sup> anniversary of the fall of the Berlin Wall.

© Ralph Larmann

A clearly defined spotlight sets the stage for a vivid concert experience with natural and brilliant lighting.



© Ralph Larmann

## The right lamp for every job

Next to the new and improved standard Lok-it!® 1000/PS, three new varieties take the stage: The all new Brilliant versions with CRI of 95, Blue with an intense 7,500 K CCT, and Beam with a short 4 mm electrode gap.

Name	Feature	Benefit	Key Application
Lok-it!®/PS	950 h	Stable performance and reliability	Concert lighting
Lok-it!®/PS Brilliant	CRI >95	Life-like colors and natural skin tones	Theater lighting
Lok-it!®/PS Blue	7500 K	Bright whites for cutting through the other colors on stage	Concert lighting
Lok-it!®/PS Beam*	Shorter electrode gap	Clearly defined spotlight for sharp beam	Concert lighting

\* available soon

### OSRAM Lok-it!® Power Series: re-launched with options for every application

The re-launched OSRAM Lok-it!® Power Series packs a lot of power. Now with versions that offer a high CRI of >90 across the range and special features, such as boosting or improved thermal resistance, the Lok-it!® Power Series has never been so powerful. Designed to give you broader versatility to meet the needs of a wide array of applications, the latest Power Series lamps provide top performance you can rely on.

The OSRAM Lok-it!® Power Series offers:

- Natural tone of light with CRI as high as 95
- Compact size and short arc gap for use in smaller and brighter fixtures
- Higher luminous efficiency than standard HID lamps
- Optimized filling for uniform light emission and reduced output in the green wavelengths common to HID lamps
- “Plug-and-play” base PGJX28 or PGJX36
- OSRAM PGJX28 and PGJX36 ceramic bases allow a high resistance to high voltage up, to 35kV

\* available soon

#### Triple Power Effect

The OSRAM Lok-it!® Power Series comes with Triple Power, identified by the symbols which appear on the outside of the box:



#### Power Color

New filling, as well as optimized electrodes and bulb geometry, make for a high CRI of >90.



#### Power Heat

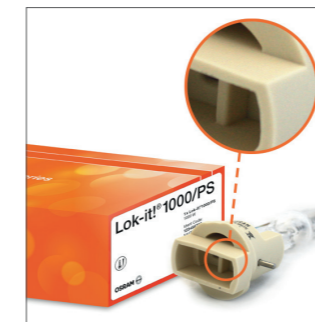
With ZrO<sub>2</sub> coating, eXtreme Seal (XS) Technology and additional improvements, we achieved thermal resistance of ~ 500°C.



#### Power Boost

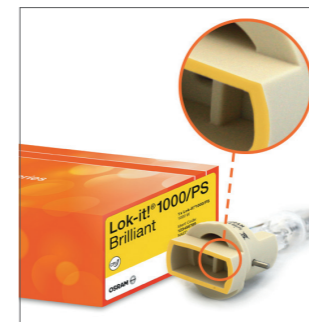
The improved ceramic base and burner design with an optimized filling, allows the lamp to be driven higher on demand.

The lamps can also be identified by the color on the bottom of the base making it easier than ever to choose the right lamp.



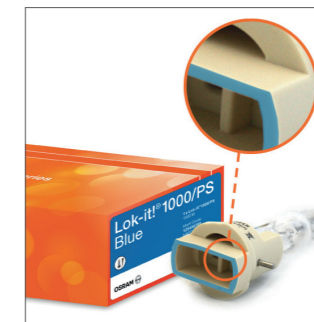
#### Lok-it!® 1000/PS

The standard lamp of the Lok-it!® series comes with a newly-designed cutout in the base, which enables improved heat management in the moving head.



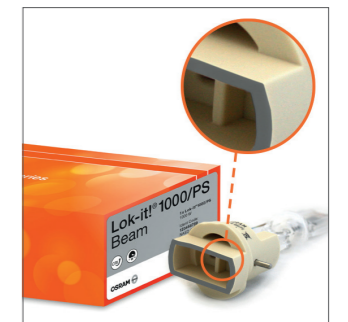
#### Lok-it!® 1000/PS Brilliant

When color brilliance has to be key, the all new Lok-it!® 1000/PS Brilliant and Lok-it!® 1400/PS Brilliant impress with lifelike colors, thanks to their high CRI of >95



#### Lok-it!® 1000/PS Blue

Crisp light at the switch of a button? The all new Lok-it!® 1000/PS Blue delivers 7.500 Kelvin light-power.



#### Lok-it!® 1000/PS Beam\*

If you are focusing on long-throw applications, the Lok-it!® 1000/PS Beam\* with 4 mm electrode gap is right for you.

# Light is award-winning

## HMI® – every director's darling

For more than 40 years, OSRAM HMI® metal halide discharge lamps have been meeting the toughest demands of the film and TV industry. Their technology has received several awards and has become an integral part of film sets around the world.



### HMI®

HMI® lamps are AC-operated metal halide discharge lamps, which have excellent color rendering and photometric integrity throughout their life.

- High intensity light simulates daylight color temperature of 6000K with a CRI >90
- Enormous luminous flux of up to 2.3 million lm
- Very high luminous efficacy of up to 100 lm/W
- Mechanically robust with eXtreme Seal (XS) technology, up to 450°C at the pinch seal
- Capable of hot restrike ignition
- Available in wattages from 200 to 18.000W, single-ended or double-ended
- Dimmable

### Perfect light whatever the time – day or night.

With an extremely bright light, providing up to 100 lumens per watt, OSRAM HMI® lamps generate a color temperature that closely matches sunlight. It reveals true colors and facilitates daytime filming outdoors. Dimmable, with hot restart capability, OSRAM HMI® lamps are up to five times more efficient than an incandescent light.



### HMI® Director Series

The multi-foil sealing system for OSRAM HMI® lamps provides high stability. They are specifically designed to meet the demanding photography requirements of the entertainment industry.

- Heat dissipating round moly-foil design better distributes heat and current
- Compression sleeve base improves reliability for double-end lamps
- Longer life on most types
- Flicker-free operation in 1000 Hz mode
- Splash-proof carrying case is reusable and allows lamps to be transported safely over the full lifetime.



### HMI® UVS

OSRAM has developed this group of HMI® lamps incorporating a doped UV Stop (UVS) quartz outer jacket, which reduces UVB and UVC emissions up to 99,9% without compromising performance. OSRAM offers seven HMI® UVS lamps, ensuring there is a lighting solution for every set, stage, and project.

- Reduced UV emissions of up to 99,9% for extended life of fixture components

### Typical applications

- Film, TV and video productions
- Stage lighting (theater, opera etc.)
- Exhibition lighting
- Lighting for major events
- Professional photography
- Industrial solar simulation

### Typical luminaires

- Follow and moving-head spotlights
- Fresnel luminaires
- PAR/open luminaires
- Soft and flood lighting

# Light is reliability

## Studio halogen lamps

Our studio, stage and TV halogen lamps are excellent examples of the technical advances that can still be achieved in the development of lamps. The key to their success is the combination of high-quality quartz and state-of-the-art lamp technologies. The result is a powerful and economical solution for stage, film and TV lighting.



### Halogen lamps

OSRAM studio, stage and TV halogen lamps offer high luminous efficacy with low power consumption, and a relatively high proportion of visible light compared with infrared thermal radiation.

- High output from 500 to 20.000W
- High luminous efficacy
- High luminance
- Constant color temperature throughout their lifetime (3.000–3.400K depending on type)
- Instant light
- Operation at line voltage
- Dimmable
- Eco-friendly: halogen lamps contain no mercury, i.e. no special waste disposal requirements

### Pinch technology

A new type of filament holder: the filament is molten into quartz glass bars, which are then fixed into the bulb by quartz pinch points. Not using conventional holders and reducing the design to the filament and quartz glass enhances the lamp's quality and robustness.

- Protected against vibrations by new type of filament holder
- Very robust lamp design
- Improved durability
- Reduction of components and higher purity within the lamp
- Improvement of the halogen cycle

### The culmination of years of experience: technical perfection

Our studio, stage and TV halogen lamps not only meet stringent requirements in terms of luminous flux, luminous efficacy and color temperature, but also through economic and durable operating demands. They are compact, heat-resistant and can be used in many operating positions. Halogen lamps are manufactured from high-quality components and feature biplanar technology. Thanks to biplanar technology, the 1.000W studio halogen lamps for example have an up to 50% higher luminous intensity in spotlight settings.



### Typical luminaires

- PAR/open luminaires
- Fresnel lens luminaires
- Soft and flood lighting
- Follow and moving-head spotlights
- Color changers

### Typical applications

- Film, TV and video productions
- Stage lighting (theater, opera etc.)
- Exhibition lighting
- Lighting for major events
- Professional photography

# Light is breathtaking

## HPL® and Lok-it!®

Thanks to its incomparable efficiency, our HPL® lamp has made a name for itself on stage and in TV studios. And even when it's time to leave the stage, OSRAM has a special solution at the ready with the Lok-it!® system, which enables users to replace lamps in no time at all.



### Non-stop entertainment with HPL®

The life of the long-life versions (575W and 750W) is three resp. almost four times longer than that of the standard versions. The six filament segments design guarantees that these versions make optimal use of the light they generate.

### Lok-it!®. The all-round talent.

The bayonet base and lampholder system of the Lok-it!® family of lamps allow for a one-handed lamp replacement within just a few seconds. Lok-it!® lampholders can be easily installed in luminaires and ensure an extremely strong and vibration-proof connection with the lamp base during operation and transportation. The versatile Lok-it!® system enables user to choose freely between individual lamp technologies (halogen or discharge lamps).



### HPL®

The special filament design increases the life of the high-performance halogen lamp.

- Long-life version with long average lifetime for longer maintenance intervals
- Solid nickel pins for precise alignment of the lamp in the holder
- Strengthened pinch point for enhanced mechanical stability
- Special metal heat sink for improved heat dissipation and optimized life

### Typical luminaires

- Spotlights
- PAR luminaires
- Fresnel
- Striplights

### Typical applications

- Theater, TV, studio
- Entertainment and architecture lighting



### Lok-it!®

Using a bayonet mechanism, the standardized lamp base is simply turned into the PGJX50 Lok-it!® and PGJX 36/28 lampholder, thus allowing for a very rapid lamp replacement even where luminaires are difficult to access.

- Studio halogen lamp: 1.200W with PGJX50 lampholder and Lok-it!® HTI® PS
- Standardized design
- Safe electrical and mechanical contact
- Compact form
- Robust and vibration-resistant

### Typical luminaires

- Follow and moving-head spotlights

### Typical applications

- Theater, TV, studio
- Entertainment and architecture lighting
- Professional photography



# Light is creative

## KREIOS® LED luminaires for great entertainment

OSRAM LED luminaires make way for creative lighting for professionals in the field of studio, stage and TV lighting. The high performance LED product range has a lot to offer: the robust and highly versatile KREIOS® SL and KREIOS® FL fixtures and the extremely bright luminaire KREIOS® PAR.



### KREIOS® PAR

KREIOS® PAR is a particularly bright and powerful LED luminaire used for stage lighting. KREIOS® PAR provides a complete LED luminaire range with various designs for indoor and outdoor lighting. KREIOS® PAR enables RGB or RGBW color mixing with flicker-free dimming from 0 to 100%. The high-performance LED luminaires can be controlled via DMX512 or an integrated sound-2-light circuit, but can also be used in stand-alone operation. Special color modes for amber and warm white light are available (only for KREIOS® PAR 162W).

### KREIOS® SL

The zoomable LED luminaire was developed for a wide range of applications. The lightweight impresses with brightness and its beam angle can be adjusted quickly and easily by rotating a zoom ring. The barn doors provided enable the user to adapt the light beam as desired. The compact luminaire is compatible with most mounting brackets and attachment parts. The power supply unit is integrated into the luminaire, but can be removed if necessary and installed externally.

**KREIOS® PAR** is powerful enough to illuminate concert stages in your choice of 16.7 million colors. The high intensity light with the low heat output changes the game for designers, allowing lights to be placed in close proximity to a stage or hidden far away from it.

**KREIOS® FL** provides large-scale illumination for theaters. Ideal for lighting work spaces in true-to-life color, KREIOS® FL delivers halogen brightness at a fraction of the energy cost.

**KREIOS® SL** shines at events, in television studios, and at entertainment venues. The fixture's gel frame is compatible with a variety of color, frost, and diffusion filters, ensuring the ideal light is always available to enhance a scene.



- Extremely bright LED luminaire with up to 4,200 lumens
- RGB or RGBW color mixing system with flicker-free dimming from 0 to 100%
- Compact and sturdy design



- High color rendering index (Ra ≥ 95)
- Protection type IP65 for outdoor
- High luminous efficacy of 3,000 lm
- Efficient energy consumption

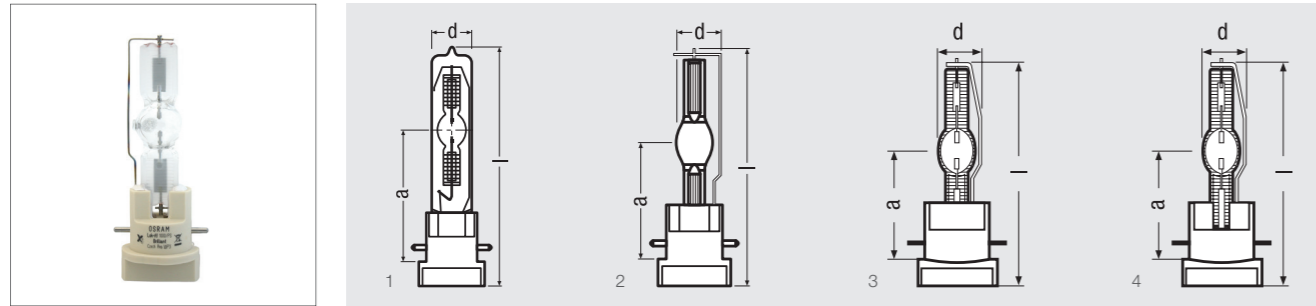


- High luminous efficacy
- High color rendering index (Ra ≥ 95)
- Almost silent air-cooling system
- Variable beam angle: 24°/40° - 120°
- Wide range of accessories (included)

### KREIOS® FL

KREIOS® FL ensures optimum illumination for large work spaces, theatre, set and stage applications. Its energy efficiency is up to 80% higher than that of conventional halogen light sources. With a colour temperature of 3200 Kelvin and a high colour rendering index (CRI) of Ra ≥95, the luminaire enables good colour rendering at workplaces. Protection degree IP65, robust design, and other properties ensure reliable performance under the most varied of conditions. The gel frame accessory enables quick and convenient color changes. Its black housing and passive cooling make this entertainment luminaire particularly unobtrusive.





**Lok-it!® lamp types**

Product Name	IC	Product Number	W	V	A	t[h]	lm
<b>Lok-it!® metal halide lamp</b>							
Lok-it!® HSD 300W/80/P28	AA32460002G	4008321644831	300	95	3.2	2000	27000
Lok-it!® HTI 400W/60/P28	A74312E002G	4008321605481	400	67	6	750	30000
Lok-it!® HTI 700W/75/P28	AA52553002G	4008321510549	700	100	11	750	50000
Lok-it!® HTI 700W/75/P50	A635211022G	4008321485205	700	100	10	750	50000
Lok-it!® HTI 700W/60/P28	A63963E012G	4052899179790	700	60	11.6	750	50000
Lok-it!® HTI 1500W/60/P50	A72522C002G	4008321553416	1500	100	15	750	135000
Lok-it!® HTI 1500W/60/P50 M3W	AA41963002G	4008321818997	1500	100	15	750	130000

**Lok-it!® Power Series**

Lok-it!® 1000/PS	AB43733002G	4052899965157	1000	85	12	950	85000
Lok-it!® 1000/PS Beam*							
Lok-it!® 1000/PS Blue	AB43739002G	4052899965171	1000	71	14	750	70000
Lok-it!® 1000/PS Brilliant	AB43736002G	4052899965164	1000	85	12	750	82000
Lok-it!® 1400/PS Brilliant	AB43740002G	4052899965195	1400	90	15.5	750	120000
Lok-it!® 1700/PS	AB43741002G	4052899965201	1700	85	20	750	135000

Product Name	K	R <sub>a</sub>	φ [mm]	l [mm]	LCL a [mm]	⊕	⊖	No.
--------------	---	----------------	--------	--------	------------	---	---	-----

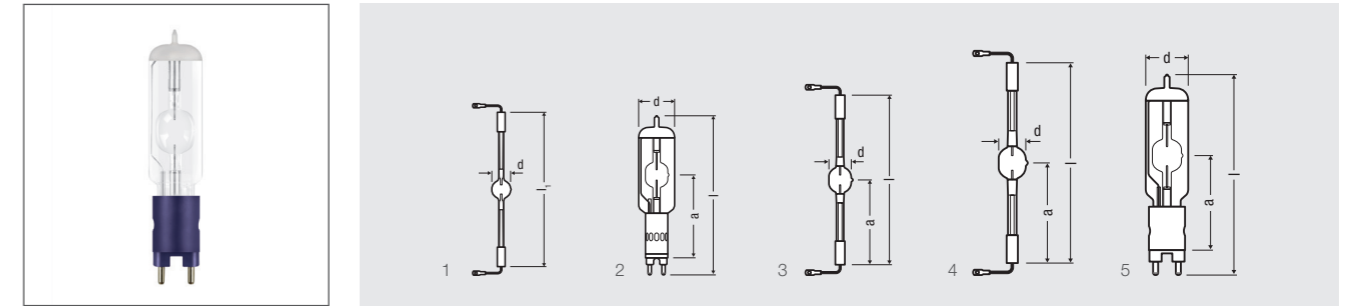
**Lok-it!® metal halide lamp**

Lok-it!® HSD 300W/80/P28	8000	> 85	23	121	67	5	PGJX28	1
Lok-it!® HTI 400W/60/P28	6000	> 85	17	103	56	3.5	PGJX28	2
Lok-it!® HTI 700W/75/P28	7500	> 85	20	125	65	4	PGJX28	2
Lok-it!® HTI 700W/75/P50	7500	85	18	128	65	4	PGJX50	3
Lok-it!® HTI 700W/60/P28	6000	> 85	18	112	56	4	PGJX28	2
Lok-it!® HTI 1500W/60/P50	6000	> 85	26	128	65	5.8	PGJX50	3
Lok-it!® HTI 1500W/60/P50 M3W	6000	> 85	26	128	65	7	PGJX50	3

**Lok-it!® Power Series**

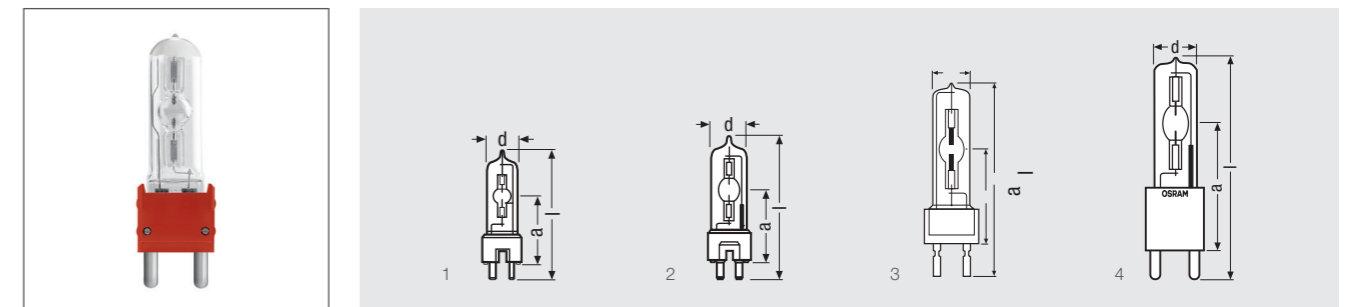
Lok-it!® 1000/PS	6000	> 85	21	112	56	5.5	PGJX36	4
Lok-it!® 1000/PS Beam*								
Lok-it!® 1000/PS Blue	7500	> 85	21	112	56	5.5	PGJX28	4
Lok-it!® 1000/PS Brilliant	5900	95	21	112	56	5.5	PGJX36	4
Lok-it!® 1400/PS Brilliant	6000	95	22	125	60	5.5	PGJX28	4
Lok-it!® 1700/PS	6000	92	22	125	60	5.5	PGJX28	4

\* available soon



**HMI® Director Series**

Product reference	Product number	W	V	A	⊖	lm	t[h]	⊕	φ [mm]	LCL a [mm]	l [mm]	No.
HMI 6000W/DXS	4008321210210	6,000	123	55	S25.5	570,000	500	p15	54	450	1	
HMI 6000W/SE XS	4050300564067	6,000	123	55	GX38	600,000	500	s135	75	360	2	
HMI 9000W/SE	4008321762573	9,000	160	56	GX38	875,000	400	any	80	380	2	
HMI 12000W/DXS	4008321210227	12,000	160	84	S30	1,150,000	500	p15	64	470	3	
HMI 12000W/SE XS	4050300650418	12,000	160	84	GX38	1,150,000	500	s135	100	455	2	
HMI 18000W/DXS	4008321370280	18,000	225	88	S30	1,700,000	500	p15	77	500	4	
HMI 18000W/SE XS	4008321098955	18,000	225	88	GX51	1,600,000	350	s135	100	495	5	

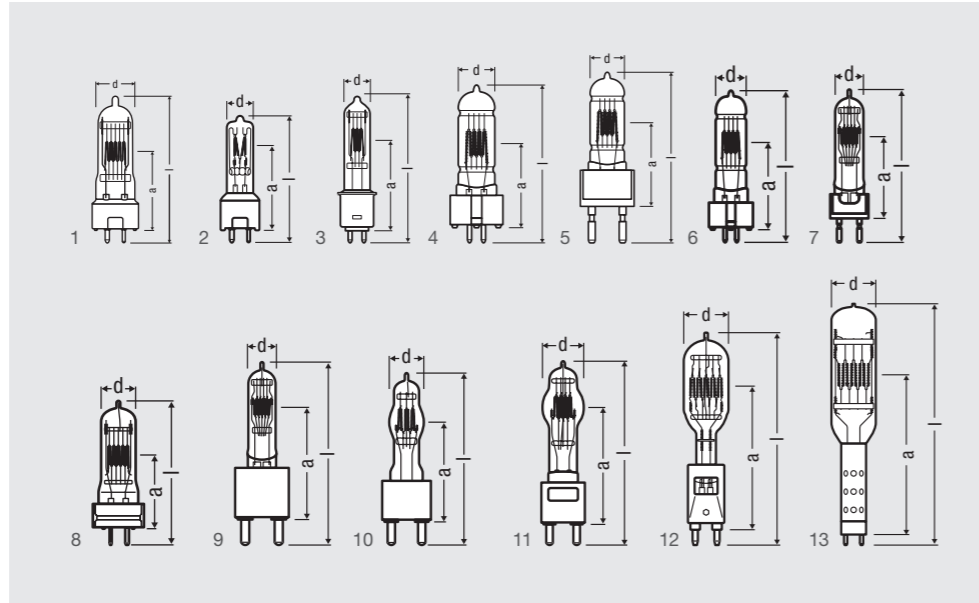


**HMI® UVS**

Product reference	Product number	W	V	A	⊖	lm	t[h]	⊕	φ [mm]	LCL a [mm]	l [mm]	No.
<b>HMI® UVS, single ended</b>												
HMI 200W/SE UVS	4052899152625	200	70	3	GZY9.5	16,000	200	any	20	39	80	1
HMI 400W/SE UVS	4052899152649	400	70	6,9	GZZ9.5	33,000	650	any	23	60	110	2
HMI 575W/SEL UVS	4052899152663	575	95	6,9	G22	49,000	1,000	any	30	70	145	3
HMI 800W/SEL UVS	4052899087132	800	95	8,4	G22	65,000	1,000	any	30	70	145	3
HMI 1200W/SEL UVS	4052899152670	1,200	100	13,8	G38	110,000	1,000	any	42	107	200	4
HMI 1600W/SE UVS	4052899152687	1,600	150	10,7	G22	150,000	750	any	38	85	175	3
HMI 1800W/SE UVS	4052899152694	1,800	140	13,0	G38	165,000	750	any	42	107	200	4

Safety advice: Because of their high luminance, UV radiation (does not apply to HMI® UVS) and high internal pressure during operation, HMI® lamps may only be operated in enclosed lamp casings specially constructed for the purpose. Appropriate filters must ensure that the UV radiation is reduced to a safe level. Mercury is released if the lamp bursts. Special safety precautions must be taken. Information on safety and handling is available on request or can be found in the leaflet included with the lamp or in the operating instructions.

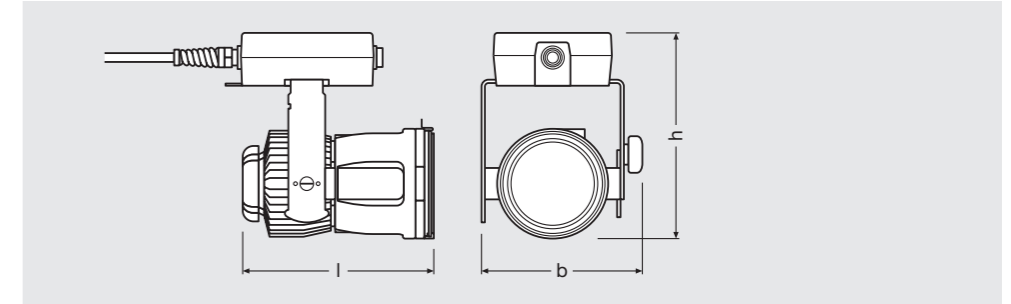




Halogen studio lamps

Product reference	Product number	ANSI	LIF	W	V	t[h]	lm	K	d [mm]	l [mm]	LCL a [mm]	h [mm]	g	CE	UL	
64673	4052899015463	FSL	CP/81	300	230	200	7500	3100	18	80	46.5	6.5*13	Any	GY9.5	12	2
64673	4052899015487	FSK	CP/81	300	240	200	7500	3100	18	80	46.5	6.5*13	Any	GY9.5	12	2
64670	4008321624017	GCV	T/25	500	230	300	11000	3000	23	90	46.5	11.0*11.0	s90	GY9.5	12	1
64670	4008321624031	GCV	T/25	500	240	300	11000	3000	23	90	46.5	11.0*11.0	s90	GY9.5	12	1
64674	4052899015500	FRH	CP/82	500	230	200	13500	3200	18	80	46.5	8.0*18	Any	GY9.5	12	2
64674	4052899015524	FRJ	CP/82	500	240	200	13500	3200	18	80	46.5	8.0*18	Any	GY9.5	12	2
64680	4008321098573		A1/244	500	230	50	14500	3200	22	75	36.5	10.0*10.0 <sup>1)</sup>	Any	GY9.5	12	1
64680	4008321098597		A1/244	500	240	50	14500	3200	22	75	36.5	10.0*10.0 <sup>1)</sup>	Any	GY9.5	12	1
64716	4008321623973	GKV		600	230	250	14000	3050	19	101	60.5	9.0*13.0	s90	G9.5	12	3
64716	4008321623997	GKV		600	240	250	14000	3050	19	101	60.5	9.0*13.0	s90	G9.5	12	3
64717	4008321624215	FRL	CP/89	650	230	150	16250	3200	23	90	46.5	26.0*33.0	s90	GY9.5	12	1
64717	4008321624239	FRM	CP/89	650	240	150	16250	3200	23	90	46.5	26.0*33.0	s90	GY9.5	12	1
64718	4008321624253	GCT	T/27	650	230	400	14500	3000	23	90	46.5	10.0*10.0	s90	GY9.5	12	1
64718	4008321624277	GCT	T/27	650	240	400	14500	3000	23	90	46.5	10.0*10.0	s90	GY9.5	12	1
64719	4008321638076		T/12	650	230	750	12000	3000	26	110	55	13.0*11.0	s90	GX9.5	20	4
64720	4008321638090		CP/23	650	230	100	16800	3200	26	110	55	13.0*17.0 <sup>1)</sup>	s90	GX9.5	20	4
64721	4008321638113	FKH	CP/39	650	230	100	16800	3200	26	140	63.5	13.0*17.0 <sup>1)</sup>	s90	G22	20	5
64678	4008321624055			800	230	250	20000	3200	19	101	60.5	9.0*13.0	s90	G9.5	12	3
64752	4008321624475	FWS	T/29	1200	230	400	28600	3000	27	125	67	13.0*15.0	s90	GX9.5	20	6
64752	4008321624499	FWS	T/29	1200	240	400	28600	3000	27	125	67	13.0*15.0	s90	GX9.5	20	6
64754	4008321624529		CP/90	1200	230	200	30000	3200	27	125	67	13.0*15.0	s90	GX9.5	20	6
64756	4008321624550		CP/93	1200	230	200	30000	3200	26	140	63.5	13.0*15.0	s90	G22	20	5
93723	4008321370594		CP/110	1200	80	300	37500	3200	22	120.7	63.5	12.7*12.7	s135	2 pins	12	7
64777	4008321632197		CP/92	2000	230	400	52000	3200	35	175	90	20.0*19.0	s90	G22	12	7
64787	4008321653994		CP/75	2000	230	400	52000	3200	35	160	75	20.0*19.0	s90	G22	12	7
64788	4008321632173	FTM	CP/72	2000	230	400	52000	3200	35	145	70	20.0*19.0	s90	GY16	12	8
64788	4008321632180	FTM	CP/72	2000	240	400	52000	3200	35	145	70	20.0*19.0	s90	GY16	12	8
64789	4008321654021	FKK	CP/73	2000	230	400	52000	3200	35	210	127	20.0*19.0	s90	G38	6	9
64789	4008321654038	FKK	CP/73	2000	240	400	52000	3200	35	210	127	20.0*19.0	s90	G38	6	9
64796	4008321653987		CP/91	2500	230	400	65000	3200	35	175	90	20.0*19.0	s90	G22	12	7
64797	4052899129542			3000	230	400	82000	3200	45	210	127	33.0*35.0	s90	G38	6	10
64805	4052899129580		CP/85	5000	120	400	135000	3200	60	279.4	165	26.0*33.0	s90	G38	6	11
64805	4052899129566		CP/85	5000	230	400	135000	3200	60	279	165	26.0*33.0	s90	G38	6	11
64805	4052899129573		CP/85	5000	240	400	135000	3200	61	279	165	26.0*33.0	s90	G38	6	11
64815	4050300780696	ECR	CP/83	10000	230	350	285000	3200	80	400	254	60.0*35.0	s45	G38	6	12
64818	4008321792051	BCM	CP/99	20000	230	350	580000	3200	100	550	354	67.0*50.0	s45	G38	4	13

1) With monoplane filament

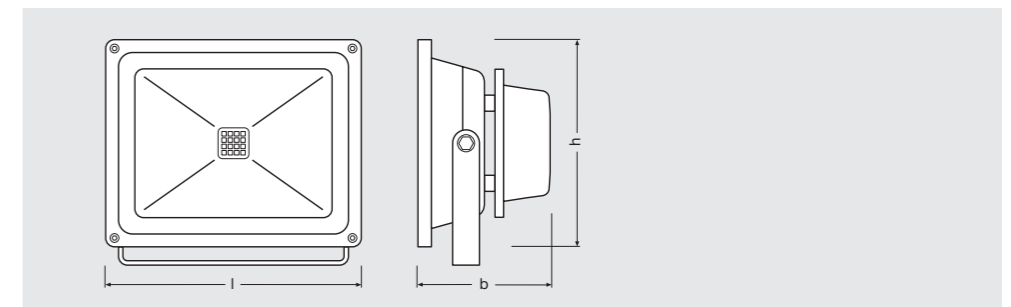


KREIOS® SL

Product reference	Product number	W	V	°	Ra	K	lm	t[h]	l [mm]	b [mm]	h [mm]	g	CE	UL
KREIOS® SL	4052899000001	60	120	24/40-120	≥95	3.200	3.000	30.000 <sup>1)</sup>	178	154	202	1.900	no	yes
KREIOS® SL	4008321843951	60	220-240	24/40-120	≥95	3.200	3.000	30.000 <sup>1)</sup>	178	154	202	1.900	yes	no

1) Lumen Maintenance L70 @25°C

Mounting Bracket with clearance hole to accept 13mm/1/2" bolts for truss mounting. Threaded hole (1/2"-13 UNC) at fixture accepts direct mounting to clamps and other mounts. Items in packaging include barn doors, gel frame holder, 24° spot reflector, replacement zoom adjust ring in black color, zoom lock accessory, tripod adapter.

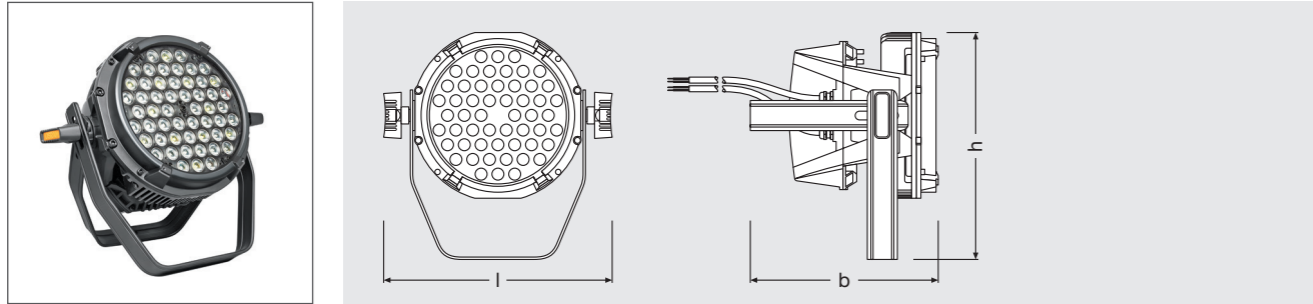


KREIOS® FL

Product reference	Product number	W	V	Ra	K	lm	t[h]	l [mm]	b [mm]	h [mm]	g	CE	UL
KREIOS® FL	4052899193178	60	100-240	≥95	3.200	3.000	30.000 <sup>1)</sup>	285	160	235	4.000	yes	no
KREIOS® FL	4052899193192	60	100-240	≥95	3.200	3.000	30.000 <sup>1)</sup>	285	160	235	4.000	no	yes
KREIOS® FLX	4052899193154	90	120	≥95	3.200	5.000	30.000 <sup>1)</sup>	285	160	235	4.600	no	yes
KREIOS® FL/FLX GEL FRAME	4052899201361	-	-	-	-	-	-	293	15	239	166	-	-

1) Lumen Maintenance L70 @25°C

Safety: To prevent personal injury or damage to property, halogen lamps may be operated in suitable luminaires designed with mechanisms (protective shields, grids etc.) to ensure that in the event of a lamp bursting no parts/shards can escape and that no ultraviolet radiation can escape during operation. The lamps emanate intense heat.



**KREIOS® PAR technical data (EU)**

Product reference	Product number	IP	LED quantity	W	V	△°	⊙	t[h]	h [mm]	b [mm]	l [mm]	g	CE
KREIOS® PAR	4052899204751	65	12R,18G,12B,12W	162	100-240	15°	0-100%	30.000 <sup>1)</sup>	330	280	341	6.900	yes
KREIOS® PAR	4052899204829	65	12R,18G,12B,12W	162	100-240	30°	0-100%	30.000 <sup>1)</sup>	330	280	341	6.900	yes
KREIOS® PAR	4052899204850	65	12R,18G,12B,12W	162	100-240	45°	0-100%	30.000 <sup>1)</sup>	330	280	341	6.900	yes
KREIOS® PAR	4052899204867	65	12R,18G,12B,12W	162	100-240	60°	0-100%	30.000 <sup>1)</sup>	330	280	341	6.900	yes
KREIOS® PAR	4052899204898	65	12R,12G,12B,12W	144	100-240	15°	0-100%	30.000 <sup>1)</sup>	330	280	341	6.900	yes
KREIOS® PAR	4052899204904	65	12R,12G,12B,12W	144	100-240	30°	0-100%	30.000 <sup>1)</sup>	330	280	341	6.900	yes
KREIOS® PAR	4052899204935	65	12R,12G,12B,12W	144	100-240	45°	0-100%	30.000 <sup>1)</sup>	330	280	341	6.900	yes
KREIOS® PAR	4052899204942	65	12R,12G,12B,12W	144	100-240	60°	0-100%	30.000 <sup>1)</sup>	330	280	341	6.900	yes
KREIOS® PAR	4052899204959	20	12R,18G,12B,12W	162	100-240	15°	0-100%	30.000 <sup>1)</sup>	319	251	315	5.700	yes
KREIOS® PAR	4052899204966	20	12R,18G,12B,12W	162	100-240	30°	0-100%	30.000 <sup>1)</sup>	319	251	315	5.700	yes
KREIOS® PAR	4052899204997	20	12R,18G,12B,12W	162	100-240	45°	0-100%	30.000 <sup>1)</sup>	319	251	315	5.700	yes
KREIOS® PAR	4052899205024	20	12R,18G,12B,12W	162	100-240	60°	0-100%	30.000 <sup>1)</sup>	319	251	315	5.700	yes
KREIOS® PAR	4052899205055	20	12R,12G,12B,12W	144	100-240	15°	0-100%	30.000 <sup>1)</sup>	319	251	315	5.700	yes
KREIOS® PAR	4052899205062	20	12R,12G,12B,12W	144	100-240	30°	0-100%	30.000 <sup>1)</sup>	319	251	315	5.700	yes
KREIOS® PAR	4052899205079	20	12R,12G,12B,12W	144	100-240	45°	0-100%	30.000 <sup>1)</sup>	319	251	315	5.700	yes
KREIOS® PAR	4052899205086	20	12R,12G,12B,12W	144	100-240	60°	0-100%	30.000 <sup>1)</sup>	319	251	315	5.700	yes
KREIOS® PAR	4052899205093	20	12R,12G,12B	108	100-240	15°	0-100%	30.000 <sup>1)</sup>	319	251	315	5.700	yes
KREIOS® PAR	4052899205147	20	12R,12G,12B	108	100-240	30°	0-100%	30.000 <sup>1)</sup>	319	251	315	5.700	yes
KREIOS® PAR	4052899205178	20	12R,12G,12B	108	100-240	45°	0-100%	30.000 <sup>1)</sup>	319	251	315	5.700	yes
KREIOS® PAR	4052899205185	20	12R,12G,12B	108	100-240	60°	0-100%	30.000 <sup>1)</sup>	319	251	315	5.700	yes

**KREIOS® PAR Accessories (EU)**

Product reference	Product number	Product number	IP	l [mm]	CE
Power extension cable (3-PIN)	4052899300088	4052899300095	65	3.000	yes
Power extension cable (3-PIN)	4052899300101	4052899300118	65	10.000	yes
Data extension cable (5-PIN)	4052899300125	4052899300132	65	3.000	yes
Data extension cable (5-PIN)	4052899300149	4052899300156	65	10.000	yes
Data Adapter Data female / XLR-5 male	4052899300187	4052899300194	65/40 (XLR)	3.000	yes
Data Adapter Data male / XLR-5 female	4052899300200	4052899300217	65/40 (XLR)	3.000	yes
Power Adapter, open wires female	4052899300224	4052899300231	-	3.000	yes
Barn door Indoor	4052899300262	4052899300279	-	-	yes
Barn door Outdoor	4052899300286	4052899300293	-	-	yes

1) Lumen Maintenance L70 @25°C

**KREIOS® PAR technical data (APAC)**

Product reference	Product number	IP	LED quantity	W	V	△°	⊙	t[h]	h [mm]	b [mm]	l [mm]	g	CE
KREIOS® PAR	4052899129108	65	12R,18G,12B,12W	162	100-240	15°	0-100%	30.000 <sup>1)</sup>	330	280	341	6.900	yes
KREIOS® PAR	4052899129115	65	12R,18G,12B,12W	162	100-240	30°	0-100%	30.000 <sup>1)</sup>	330	280	341	6.900	yes
KREIOS® PAR	4052899129139	65	12R,18G,12B,12W	162	100-240	45°	0-100%	30.000 <sup>1)</sup>	330	280	341	6.900	yes
KREIOS® PAR	4052899129146	65	12R,18G,12B,12W	162	100-240	60°	0-100%	30.000 <sup>1)</sup>	330	280	341	6.900	yes
KREIOS® PAR	4052899129191	65	12R,12G,12B,12W	144	100-240	15°	0-100%	30.000 <sup>1)</sup>	330	280	341	6.900	yes
KREIOS® PAR	4052899129207	65	12R,12G,12B,12W	144	100-240	30°	0-100%	30.000 <sup>1)</sup>	330	280	341	6.900	yes
KREIOS® PAR	4052899129214	65	12R,12G,12B,12W	144	100-240	45°	0-100%	30.000 <sup>1)</sup>	330	280	341	6.900	yes
KREIOS® PAR	4052899129221	65	12R,12G,12B,12W	144	100-240	60°	0-100%	30.000 <sup>1)</sup>	330	280	341	6.900	yes
KREIOS® PAR	4052899129252	20	12R,18G,12B,12W	162	100-240	15°	0-100%	30.000 <sup>1)</sup>	319	251	315	5.700	yes
KREIOS® PAR	4052899129351	20	12R,18G,12B,12W	162	100-240	30°	0-100%	30.000 <sup>1)</sup>	319	251	315	5.700	yes
KREIOS® PAR	4052899129269	20	12R,18G,12B,12W	162	100-240	45°	0-100%	30.000 <sup>1)</sup>	319	251	315	5.700	yes
KREIOS® PAR	4052899129276	20	12R,18G,12B,12W	162	100-240	60°	0-100%	30.000 <sup>1)</sup>	319	251	315	5.700	yes
KREIOS® PAR	4052899129283	20	12R,12G,12B,12W	144	100-240	15°	0-100%	30.000 <sup>1)</sup>	319	251	315	5.700	yes
KREIOS® PAR	4052899129290	20	12R,12G,12B,12W	144	100-240	30°	0-100%	30.000 <sup>1)</sup>	319	251	315	5.700	yes
KREIOS® PAR	4052899129306	20	12R,12G,12B,12W	144	100-240	45°	0-100%	30.000 <sup>1)</sup>	319	251	315	5.700	yes
KREIOS® PAR	4052899129313	20	12R,12G,12B,12W	144	100-240	60°	0-100%	30.000 <sup>1)</sup>	319	251	315	5.700	yes
KREIOS® PAR	4052899129320	20	12R,12G,12B	108	100-240	15°	0-100%	30.000 <sup>1)</sup>	319	251	315	5.700	yes
KREIOS® PAR	4052899129337	20	12R,12G,12B	108	100-240	30°	0-100%	30.000 <sup>1)</sup>	319	251	315	5.700	yes
KREIOS® PAR	4052899129344	20	12R,12G,12B	108	100-240	45°	0-100%	30.000 <sup>1)</sup>	319	251	315	5.700	yes
KREIOS® PAR	4052899129375	20	12R,12G,12B	108	100-240	60°	0-100%	30.000 <sup>1)</sup>	319	251	315	5.700	yes

**KREIOS® PAR Accessories (APAC)**

Product reference	Product number	Product number	IP	l [mm]	CE
Power extension cable (3-PIN)	4052899300088	4052899300095	65	3.000	yes
Power extension cable (3-PIN)	4052899300101	4052899300118	65	10.000	yes
Data extension cable (3-PIN)	4052899300248	4052899300255	65	3.000	yes
Data extension cable (3-PIN)	4052899300163	4052899300170	65	10.000	yes
Data Adapter Data female / XLR-5 male	4052899300187	4052899300194	65/40 (XLR)	3.000	yes
Data Adapter Data male / XLR-5 female	4052899300200	4052899300217	65/40 (XLR)	3.000	yes
Power Adapter, open wires female	4052899300224	4052899300231	-	3.000	yes
Barn door Indoor	4052899300262	4052899300279	-	-	yes
Barn door Outdoor	4052899300286	4052899300293	-	-	yes

1) Lumen Maintenance L70 @25°C



OSRAM GmbH

Head office:

Marcel-Breuer-Strasse 6  
80807 Munich, Germany  
Phone +49 89-6213-0  
Fax +49 89-6213-2020  
www.osram.com

