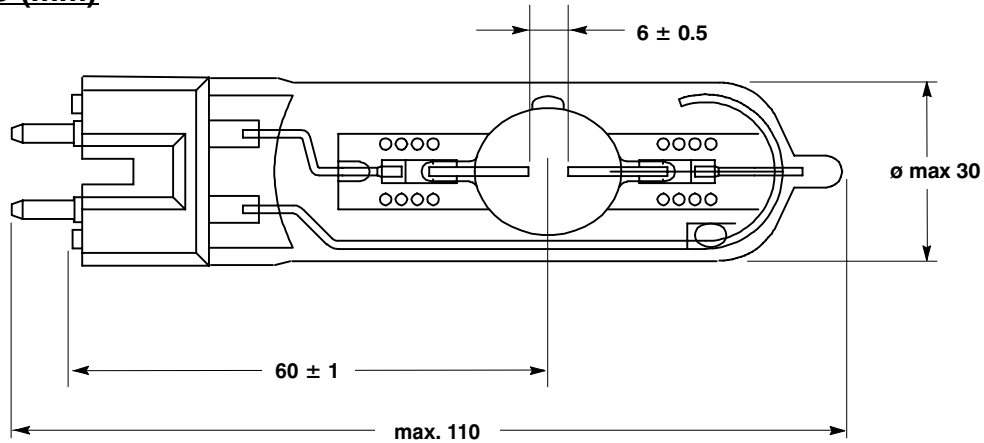




DIMENSIONS (mm)



Cap : GZZ 9.5

ELECTRICAL DATA:		NOMINAL VALUE	MIN.	MAX.
Lamp wattage	(W) :	400	400	575
Lamp voltage	(V) :	67	60	85
Lamp current	(A) :	6.9		8

OPERATING CONDITIONS:

Burning position	:	universal		
Starting voltage peak	(kV) :		25	30
Pinch temperature	(°C) :			350
Bulb temperature	(°C) :			900

LAMP LIFE

Average life*	(h) :	650		
Replacement time**	(h) :			750

* Cycle : 3 hours ON, ½ hour off at rated wattage (400W)

** Increasing shattering risk

PHOTOMETRIC DATA* :**

Initial luminous flux	(lm) :	28000		
Luminous efficacy	(lm/W) :	70		
Correlated colour temperature	(K) :	3200		
Specific Effective UV–power	(mW/klm) :			40
Colour rendering index	(RA) :	87		

*** Measurement at nominal wattage in horizontal position

ATTENTION : The lamp must be operated in a suitably enclosed fitting. Due to the high operating pressure inside the lamp, the possibility exists that in extreme circumstances the lamp might shatter. The lamp should not be operated with a broken or damaged outer envelope. The lamp generates UV–radiation. Read the safety instructions packed with the lamp. Lamps comply with the requirements of IEC publication 62035.

Issued by : TIENEN
 Date : 02.09.2009
 Revision date : 15.01.2013

DATA SHEET

Specification No. : 44–BA–0023892/D
 Supersedes : 44–BA–0023892/C
 Page 1 of 1