




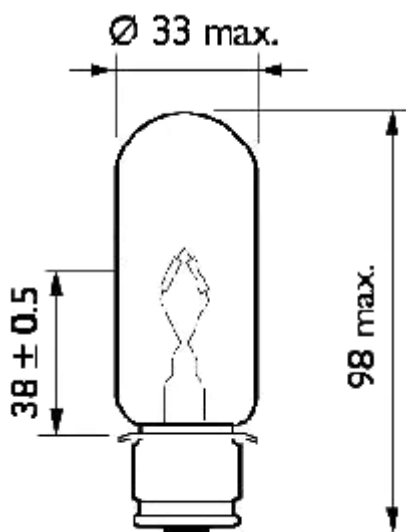
## Airfield Conventional Prefocus

	<b>Type 7654C</b> <b>6,6A 45W P28s</b>
	<b>Ordering – No.</b> <b>67845</b>
<b>Product description</b>	Conventional incandescent Airfield Lamp
<b>Features</b>	lamp for constant current regulated series circuits
<b>Applications</b>	Approach lights Threshold lights Runway lights Taxiway lights Obstruction lights

### Technical Details

Rated current (A)	6,6
Wattage (W)	45 +/- 10%
Luminous flux (lm)	730
Lumen maintenance	70% after 750 h
Average lifetime (hours)	1000
Base	P28s
Maximum Overall Length (mm)	max. 98
Bulb Diameter (mm)	max. 33
Light center length (mm)	38,0 +/- 0,5
Filament Type	C-2V
Burning Position	S
Chromaticity	Within white boundaries
Packaging quantity	50
Environmental remark	Product don't contain lead or mercury and is conform with Directive 2011/65/EC "Restriction of the use of certain hazardous substances in electrical and electronic equipment".

### Drawing (in mm)



valid from	05.03.2014—V2—PN14/0072
replace for	22.02.2013—V1
file	67845.100.pdf

MULTI-LITE GMBH is an official German distributor  
for OSRAM, LEDVANCE, PHILIPS, GE and SLI  
light bulbs and takes over your complete warranty  
handling in case of damaged lamps or early failures.

Do you have any questions regarding this lamp or a fitting  
replacement lamp?

Or would you like to get a manufacturer independent  
consultancy?

We are looking forward hearing from you!

More information here:

Phone: **+49 40 / 66 99 30 - 0**

Fax: **+49 40 / 66 99 30 - 99**

Email: **[global@multi-lite.com](mailto:global@multi-lite.com)**

Web: **[www.multi-lite.com](http://www.multi-lite.com)**

MULTI-LITE Lichttechnik Handels GmbH  
Managing Director: Wolfgang Massow  
Senefelder-Ring 61  
21465 Reinbek near Hamburg  
Germany

**We stock almost every  
specialty lamp ...!  
Get in contact with us.**