



# MASTER VALUE LEDs pot LV

## MASTER LED spot VLE D 5.8-35W MR16 930 36D

Philips MASTER VALUE MR16 is the series of Low Voltage (12 VAC) Halogen MR16 replacements. Not only does it employ Philips' patented solution to guarantee the broadest possible compatibility with standard 12 V Halogen electronic transformers, it also delivers beam intensity which is equivalent to the 50 W Philips Halogen MR16 lamps. The form-factor of Philips MASTER Value LED MR16 guarantees a 100% form on the back-side of the lamp (exact fit with Halogen lamps.)

### Warnings and Safety

- Operating temperature range is between -20° C and 45° C ambient
- Only to apply in dry or damp locations and most of open fixtures with lamp-holders that offer sufficient space (10 mm free air space)
- Not intended for use with emergency light fixtures or exit lights

### Product data

General Information	
Cap base	GU5.3 [ GU5.3]
EU RoHS compliant	Yes
Nominal lifetime (nom.)	25000 h
Switching cycle	50,000X

Light Technical	
Colour Code	930 [ CCT of 3,000 K]
Beam Angle (Nom)	36°
Luminous flux (nom.)	460 lm
Luminous intensity (nom.)	1300 cd
Colour designation	White (WH)
Correlated Colour Temperature (Nom)	3000 K

Luminous efficacy (rated) (nom.)	79.00 lm/W
Colour consistency	<6
Colour rendering index (nom.)	90
LLMF at end of nominal lifetime (nom.)	70 %
Luminous flux in 90° cone (rated)	460 lm

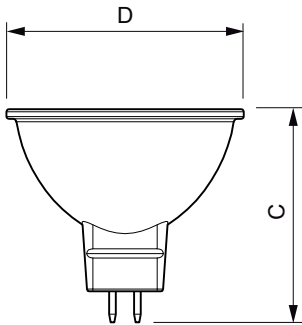
Operating and Electrical	
Input frequency	- Hz
Power (Rated) (Nom)	5.8 W
Lamp current (nom.)	510 mA
Wattage equivalent	35 W
Starting time (nom.)	0.5 s
Warm-up time to 60% light (nom.)	0.5 s

# MASTER VALUE LEDspot LV

Power factor (nom.)	0.7
Voltage (Nom)	ac electronic 12 V
<b>Temperature</b>	
T-Case maximum (nom.)	85 °C
<b>Controls and Dimming</b>	
Dimmable	Yes
<b>Approval and Application</b>	
Energy efficiency label (EEL)	A+
Suitable for accent lighting	Yes
Energy consumption kWh/1,000 hours	7 kWh

<b>Product Data</b>	
Full product code	871951430720900
Order product name	MASTER LED spot VLE D 5.8-35W MR16 930 36D
EAN/UPC – product	8719514307209
Order code	30720900
SAP numerator – quantity per pack	1
Numerator – packs per outer box	10
SAP material	929002492602
SAP net weight (piece)	0.045 kg

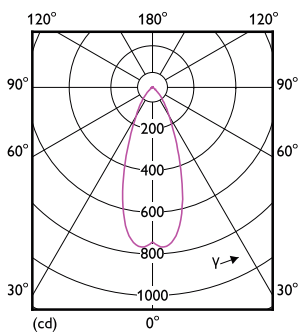
## Dimensional drawing



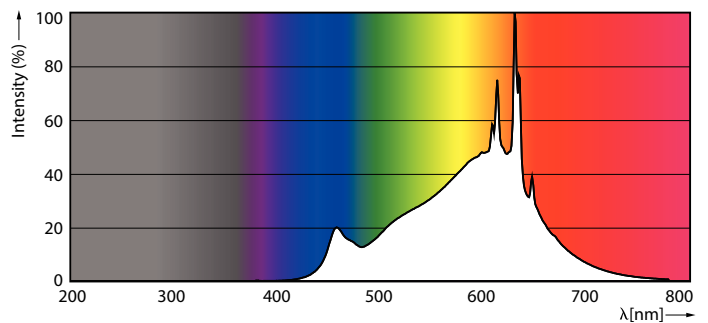
MR16 12V 5.5-35W 460lm 36D 3000K GU5.3 D

Product	D	C
MASTER LED spot VLE D 5.8-35W MR16 930 36D	50.5 mm	45.5 mm

## Photometric data



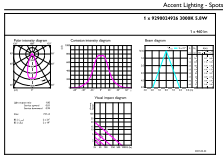
LEDspots MAS 5,8W MR16 GU5,3 930 36D



LEDspots MAS 5,8W MR16 GU5,3 930 36D

# MASTER VALUE LEDspot LV

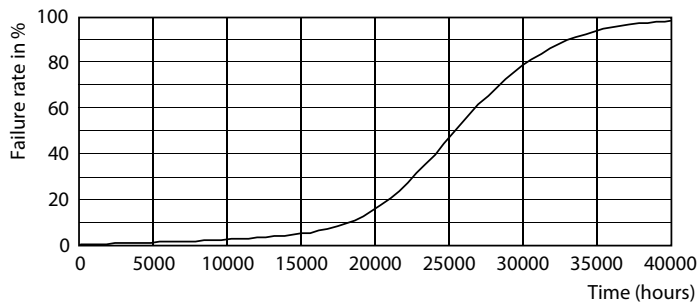
## Photometric data



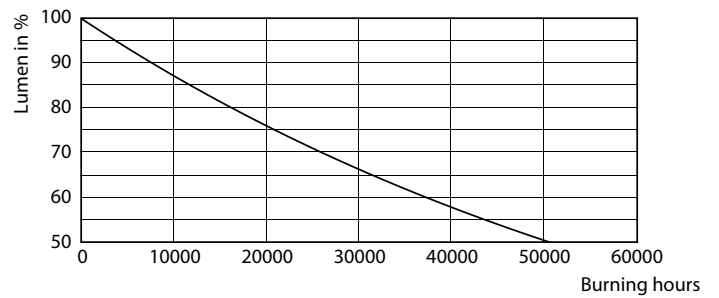
© 2021 Philips Lighting B.V. Page 1/1

LEDspots MAS 5,8W MR16 GU5,3 930 36D

## Lifetime



LEDspots LED 25K



LEDspots LMP 25K

