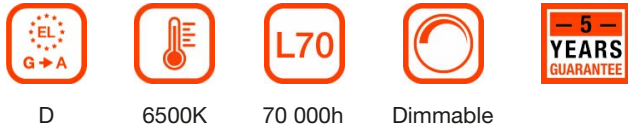




LED T8 Neo 58 - 865				
Operating current	Voltage	Power	Luminous efficacy	Luminous flux
1 500 mA	20.5 V	30.8 W	160 lm/W	4 925 lm
1 450 mA	20.5 V	29.7 W	161 lm/W	4 771 lm
1 400 mA	20.4 V	28.6 W	161 lm/W	4 617 lm
1 350 mA	20.4 V	27.5 W	162 lm/W	4 463 lm
1 300 mA	20.3 V	26.5 W	163 lm/W	4 308 lm
1 250 mA	20.3 V	25.4 W	164 lm/W	4 154 lm
1 200 mA	20.3 V	24.3 W	165 lm/W	4 000 lm
1 150 mA	20.2 V	23.2 W	166 lm/W	3 848 lm
1 100 mA	20.1 V	22.1 W	167 lm/W	3 695 lm
1 050 mA	20.0 V	21.0 W	168 lm/W	3 543 lm
1 000 mA	20.0 V	20.0 W	170 lm/W	3 390 lm



General Data

Article No.	43719853
Code	LED T8 NEO 58 865/G13
Product EAN	4008597198533
Customs tariff no.	85395200
Box quantity (pcs.)	25
EAN Box	4008597498534
Gross weight of box in kg	7.75
Length of box in m	1.57
Width of box in m	0.21
Height of box in m	0.2
ETIM class	EC001959
ETIM class name	LED-lamp/Multi-LED
Weight	200 g
Product status	● Active

Electric Parameters

Rated wattage	24.3 W
Weighted energy consumption in 1,000 hours	25 kWh

Electric Parameters

Nominal voltage	19.5-21.5 V
Voltage type	DC
Nominal current	1000-1500 mA
Nominal current (mA)	1200 mA

Light Application Parameters

Rated luminous flux acc. IEC 62722-2-1	4000 lm
Luminous flux	3390-4925 lm
max. luminous flux	4925 lm
max. luminous flux at	1500 mA
Beam angle	160 °
Luminous efficiency	165 lm/W
Radium light colour	daylight
Color temperature	6500 K
Color coordinate X	0.313
Color coordinate Y	0.337
Color rendering index Ra	> 80
Color Stability	≤ 5 sdc _m

Service Life

Average nominal lifespan	70000 h
T _c Temperature max.	70 °C
Life L70B10	100000 h
Life L80B10	70000 h
Guarantee up to	5 years

Specification

Energy Label A to G	D
Diameter	28.5 mm
Tube diameter	25.4 mm
Length max.	1513 mm
Length	1500 mm
Length	1500 mm
Burning position	beliebig
Mercury content	0.0 mg
Material	Glass

Specification

Shatterproof in accordance with US-food-standard	Yes
Lamp shape	Tube, double-ended
Base	G13
Colour	White
Weight	200 g

Notes on Operation

Degree of protection (IP)	IP20
Mode of operation for LED-Tubes	DC
Burning position	beliebig
Range of storage temperature	-20 ... +60°C
Ambient temperatures	-20 ... +50°C
Tc Temperature max.	70 °C
Suitable control gear	OTDA4032, OTNA4035

Information especially for EPREL

Mains/Non mains connectable	NMLS
Directional or non-directional light	NDLS
Color tunable light source	No
Type of color temperature	SINGLE_VALUE
Color stability MacAdams EPREL	5

Notes

T8 tubular DC LED lamp for external drivers, dimmable with suitable driver, daylight, glass bulb, base G13. Exchange for fluorescent lamps.

Please, refer to www.radium.de/recycling for notes on disposal of burned-out lamps as well as lamp breakage.

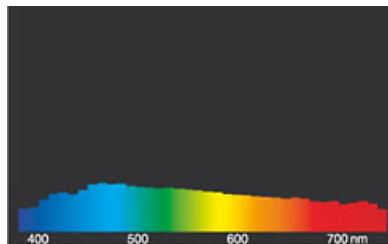
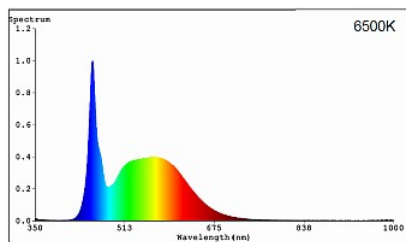
The "lifespan L70" described for LED lamps indicates the number of hours when the luminous flux has decreased to 70% of its initial value.

The optimal field 'info about service life' contains the frame conditions according to standards based on which the specific service life has been determined. So, for example, "12B50, 50Hz" means that the mean service life (B50) has been determined with a 12h switching cycle at mains (frequency 50Hz), "3B50, HF" is based on a 3h switching cycle at electronic control gear (high frequency).

Base



Spectrum



Special features



General notes

All technical data without guarantee.

Radium

Technical information

LED T8 NEO 58

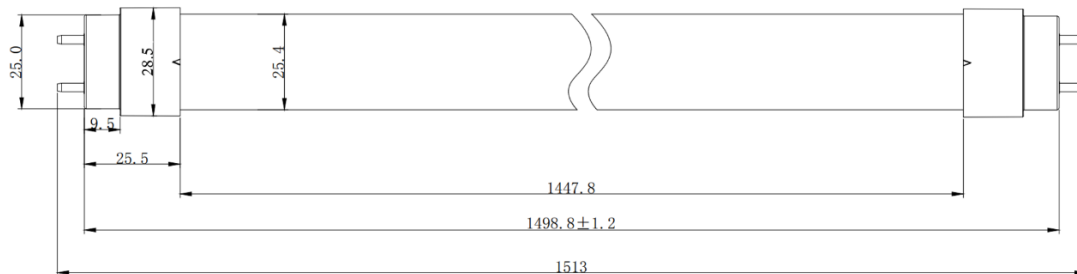
LED T8 Neo Tube for the replacement of 58W T8 fluorescent lamps and operation on constant current LED drivers. Not suitable for operation on ECGs, CCGs or mains voltage. The tube is made of frosted glass and has a shatter protection. Variable luminous flux (up to 5,180lm) which depends on the current. The LED T8 Neo is polarity neutral and has a lifetime of 70,000h L80B10. Dimmable when using a dimmable LED driver.

Compatible Radium LED drivers:

- OTDA4032 DRIVER DALI 60W/1100-1500mA IP20
- OTNA4035 DRIVER 50W/1200mA IP20



Drawing



Technical Data

General data

Code	LED T8 NEO 58 840/G13	LED T8 NEO 58 865/G13
Article No.	43719852	43719853
EAN10	4008597198526	4008597198533
EAN40	4008597498527	4008597498534
Weight [g]	200 g	200 g
Length [mm]	1513 mm	1513 mm
Diameter Base [mm]	28.5 mm	28.5 mm
Diameter Tube [mm]	25.4 mm	25.4 mm
Service life L80/B10 @Ta(max.)	70,000 h	70,000 h
Servie life L70/B10 @Ta(max.)	100,000 h	100,000 h
Energylabel A to G	C	D
Guarantee	5 years	5 years
LED	SMD 2835 60mA	SMD 2835 60mA

Operating conditions

Permissable ambient temperature Ta [°C]	-20°C...+50°C	-20°C...+50°C
Permissable storage temperature [°C]	-20°C...+60°C	-20°C...+60°C
Permissable Tc temperature [°C]	-20°C...+65°C	-20°C...+65°C
Max. permissable Tc temperature [°C]	+70°C	+70°C
Degree of protection (IP)	IP20	IP20
Operating mode	LED-Driver, constant current, DC	LED-Driver, constant current, DC

Electrical Parameter

Radium Lampenwerk GmbH
P.O. Box 1440 - 51678 Wipperfürth

+49-2267 - 81 - 1
FAX +49-2267 - 81 - 231

Information no. 9903-01-2112

Radium

Technical information

Rated power* [W]	24,3 W	24,3 W
Voltage [V DC]	19,5 - 21,5 V	19,5 - 21,5 V
Operating current [mA]	1200 mA	1200 mA
Permissible output current [mA]	1000 - 1500 mA	1000 - 1500 mA
Dimmable	yes	yes
Energy consumption in 10.000h* [kWh]	25 kWh	25 kWh
Operable number with one OTDA4032	1 – 2 pcs	1 – 2 pcs
Operable number with one OTNA4035	2 pcs	2 pcs

* @1200mA

Photometric Parameter

Rated luminous flux* [lm]	4.200 lm	4.000 lm
Beam angle [°]	160 °	160 °
Luminous efficiency * [lm/W]	173 lm/W	165 lm/W
Color temperature [K]	4000 K	6500 K
Color rendering index [CRI]	≥ 80	≥ 80
Color stability	≤ 5 SDCM	≤ 5 SDCM
Color stability typical	3 SDCM	3 SDCM

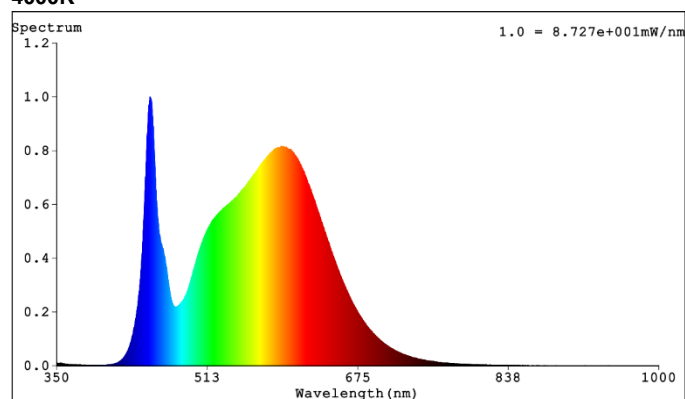
* @1200mA

Operating current table

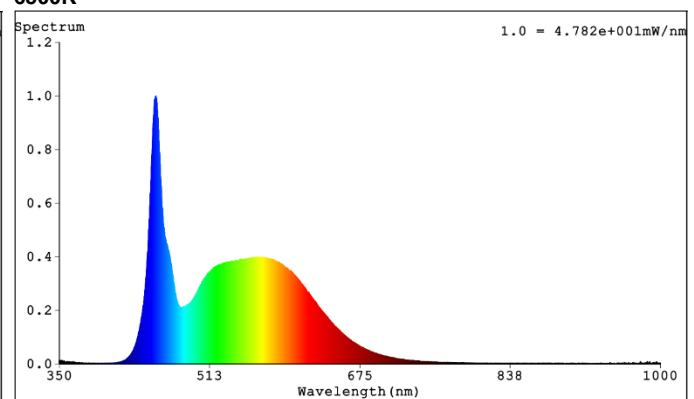
Operating current	Voltage	Power	Luminous efficacy 4000K	Luminous flux 4000K	Luminous efficacy 6500K	Luminous flux 6500K
1.500 mA	20,5 V	30,8 W	168 lm/W	5.180 lm	160 lm/W	4.925 lm
1.450 mA	20,5 V	29,7 W	169 lm/W	5.017 lm	161 lm/W	4.771 lm
1.400 mA	20,4 V	28,6 W	170 lm/W	4.853 lm	161 lm/W	4.617 lm
1.350 mA	20,4 V	27,5 W	170 lm/W	4.690 lm	162 lm/W	4.463 lm
1.300 mA	20,3 V	26,5 W	171 lm/W	4.527 lm	163 lm/W	4.308 lm
1.250 mA	20,3 V	25,4 W	172 lm/W	4.363 lm	164 lm/W	4.154 lm
1.200 mA	20,3 V	24,3 W	173 lm/W	4.200 lm	165 lm/W	4.000 lm
1.150 mA	20,2 V	23,2 W	174 lm/W	4.038 lm	166 lm/W	3.848 lm
1.100 mA	20,1 V	22,1 W	175 lm/W	3.875 lm	167 lm/W	3.695 lm
1.050 mA	20,0 V	21,0 W	176 lm/W	3.713 lm	168 lm/W	3.543 lm
1.000 mA	20,0 V	20,0 W	178 lm/W	3.550 lm	170 lm/W	3.390 lm

Spectrum / Light distribution

4000K



6500K



Radium Lampenwerk GmbH
P.O. Box 1440 - 51678 Wipperfürth

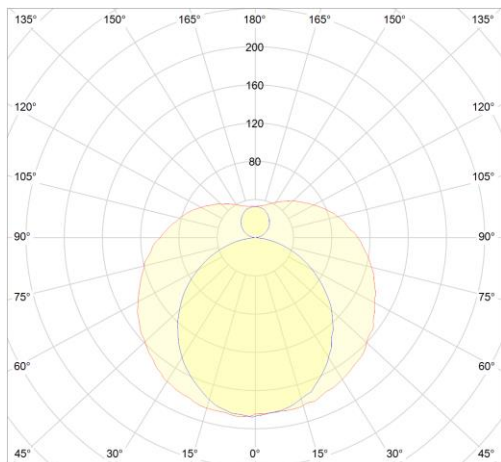
+49-2267 - 81 - 1
FAX +49-2267 - 81 - 231

Information no. 9903-01-2112

Validity: The technical information sheets (TI sheets) are updated at irregular intervals! The user is responsible for the validity and up-to-dateness of this TI sheet. With the publication of this TI sheet, all previous editions for this lamp type lose their validity.

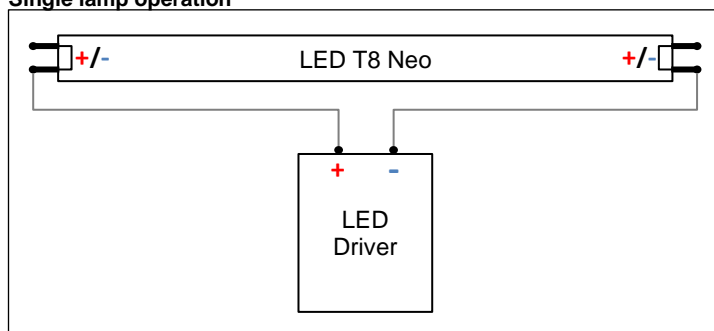
Radium

Technical information



Wiring diagram

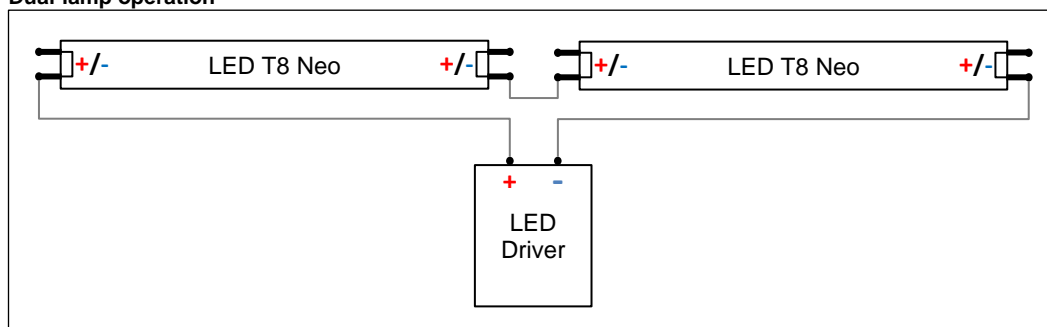
Single lamp operation



Recommended Radium LED-Driver:

- OTDA4032 DRIVER DALI 60W/1100-1500mA IP20

Dual-lamp operation



Recommended Radium LED-Driver:

- OTDA4032 DRIVER DALI 60W/1100-1500mA IP20
- OTNA4035 DRIVER 50W/1200mA IP20

Notes

- The LED T8 Neo Tube is polarity-neutral. To ensure the function, it is only necessary to make sure that one pole is connected with each end of the tube. The contacts at the respective ends are bridged.
- Due to the splinter protection, the tube can also be used for the illumination of food production plants.
- The specified service life is also achieved at the highest permissible operating current.
- If the current exceeds the permissible operating current range, the warranty does not apply.
- Bei einer Bestromung, die über die zulässigen Betriebsstrombereich hinaus geht entfällt, die Gewährleistung.

Radium Lampenwerk GmbH
P.O. Box 1440 - 51678 Wipperfürth

+49-2267 - 81 - 1
FAX +49-2267 - 81 - 231

Information no. 9903-01-2112