

## DULUX F 36 W/840 2G10

OSRAM DULUX F | Flat CFLni, 2 tubes, with 4-pin base for ECG/CCG operation



### Areas of application

- Offices, public buildings
- Shops
- Supermarkets and department stores
- Hotels, restaurants
- Industry

### Product benefits

- Very economical
- Good quality of light
- Excellent luminous efficiency
- Extremely low profile
- Long service life

### Product features

- Short and compact pin-base lamp with double-turn tubes
- Single-ended four-pin plug-in 2G10 base
- Average life: 10,000 h
- Color rendering index  $R_a$ : 80...89



# Product datasheet

## Technical data

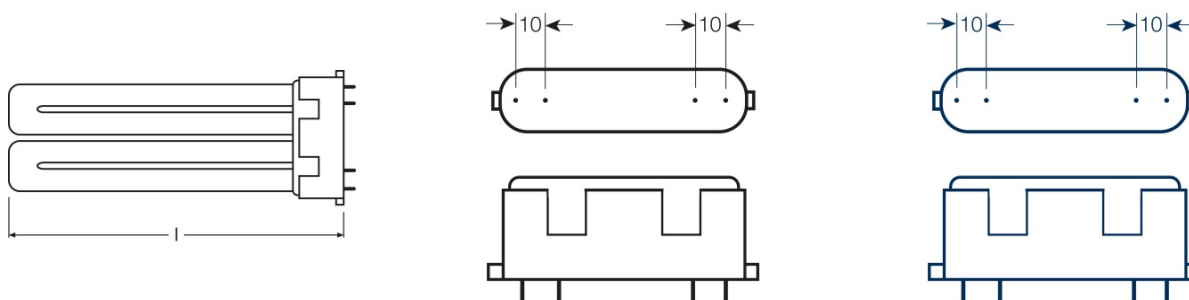
### Electrical data

|                     |         |
|---------------------|---------|
| Nominal wattage     | 36.00 W |
| Rated wattage       | 36.00 W |
| Rated luminous flux | 2800 lm |

### Photometrical data

|                           |                      |
|---------------------------|----------------------|
| Nominal luminous flux     | 2800 lm              |
| Light color (designation) | LUMILUX Cool White   |
| Luminous flux at 25 °C    | 2800 lm              |
| Color temperature         | 4000 K               |
| Color rendering index Ra  | 80...89              |
| Rated LLMF at 4,000 h     | 0.86                 |
| Rated LLMF at 6,000 h     | 0.83                 |
| Rated LLMF at 8,000 h     | 0.81                 |
| Rated LLMF at 12,000 h    | 0.77                 |
| Luminance                 | 3 cd/cm <sup>2</sup> |

### Dimensions & weight



|                             |          |
|-----------------------------|----------|
| Diameter                    | 17.5 mm  |
| Overall length              | 217.0 mm |
| Tube diameter               | 17.5 mm  |
| Length                      | 217.0 mm |
| Length acc. to IEC standard | 217 mm   |
| Outer bulb                  | T16      |
| Maximum diameter            | 17.0 mm  |

### Temperatures & operating conditions

## Product datasheet

|  |         |
|--|---------|
| Rated ambient temp.w.max.luminous flux | 25.0 °C |
|--|---------|

### Lifespan

|  |                       |
|--|-----------------------|
| Nominal lamp life time                 | 13000 h               |
| Rated lamp life time                   | 13000 h               |
| Service life                           | 9000 h <sup>1)</sup>  |
| Rated lamp survival factor at 2,000 h  | 0.99                  |
| Rated lamp survival factor at 4,000 h  | 0.99                  |
| Rated lamp survival factor at 6,000 h  | 0.99                  |
| Rated lamp survival factor at 8,000 h  | 0.95                  |
| Rated lamp survival factor at 12,000 h | 0.64                  |
| Operation mode LLMF/LSF                | HF                    |
| Lifespan                               | 10000 h <sup>1)</sup> |

<sup>1)</sup> With preheat ECG

### Additional product data

|                             |        |
|-----------------------------|--------|
| Base (standard designation) | 2G10   |
| Lamp mercury content        | 2.5 mg |

### Capabilities

|                     |     |
|---------------------|-----|
| Suitable for indoor | Yes |
|---------------------|-----|

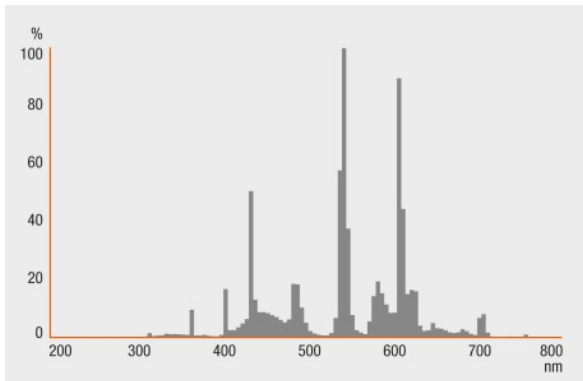
### Certificates & standards

|                         |              |
|-------------------------|--------------|
| Energy efficiency class | A            |
| Energy consumption      | 40 kWh/1000h |

### Country specific categorizations

|       |                          |
|-------|--------------------------|
| ILCOS | FSD-36/840-E-2G10-90/217 |
|-------|--------------------------|

## Light Distribution



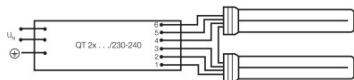
Spectral power distribution

## Equipment / Accessories

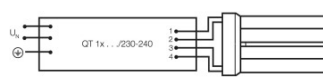
- Suitable for operation on electronic and conventional control gear

## Safety advice

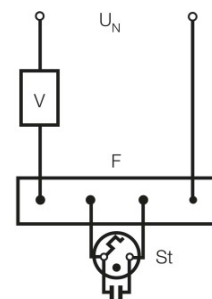
In case of lamp breakage: [www.osram.com/brokenlamp](http://www.osram.com/brokenlamp)



Circuit diagram



Circuit diagram



Circuit diagram

## Product datasheet

---

### Logistical Data

| Product code  | Product description   | Packaging unit (Pieces/Unit) | Dimensions (length x width x height) | Volume               | Gross weight |
|---------------|-----------------------|------------------------------|--------------------------------------|----------------------|--------------|
| 4050300299037 | DULUX F 36 W/840 2G10 | Shipping carton box 10       | 275 mm x 105 mm x 245 mm             | 7.07 dm <sup>3</sup> | 1631.00 g    |

The mentioned product code describes the smallest quantity unit which can be ordered. One shipping unit can contain one or more single products. When placing an order, for the quantity please enter single or multiples of a shipping unit.

---

### References / Links

For more information on QUICKTRONIC electronic control gear go to

▶ [www.osram.com/QUICKTRONIC](http://www.osram.com/QUICKTRONIC)

---

### Disclaimer

Subject to change without notice. Errors and omission excepted. Always make sure to use the most recent release.

## DULUX F 36 W/840 2G10

OSRAM DULUX F | Flat CFLni, 2 tubes, with 4-pin base for ECG/CCG operation

| Product name          | Product name ECG       | EAN           | Nominal current | Nominal wattage + Power loss | Luminous flux at 35 °C | Number of lighting outlets |
|-----------------------|------------------------|---------------|-----------------|------------------------------|------------------------|----------------------------|
| DULUX F 36 W/840 2G10 | QTi 1x14/24/21/39 GII  | 4008321383334 | 0.15 A          | 34.00 W                      | 2750 lm                | 1                          |
|                       | QTi 2x14/24/21/39 GII  | 4008321383396 | 0.29 A          | 66.00 W                      | 2800 lm                | 2                          |
|                       | QTi 2x36 DIM           |               | 0.31 A          | 69.00 W                      | 2900 lm                | 2                          |
|                       | QTi DALI 1x36 DIM      | 4050300870427 | 0.16 A          | 36.00 W                      | 2900 lm                | 1                          |
|                       | QTi DALI 2x36 DIM      | 4050300870885 | 0.31 A          | 69.00 W                      | 2900 lm                | 2                          |
|                       | QT-M 2x26-42/220-240 S | 4008321110022 | 0.30 A          | 70.00 W                      | 2700 lm                | 2                          |
|                       | QTP-DL 1x36-40         | 4008321117908 | 0.17 A          | 35.00 W                      | 2800 lm                | 1                          |
|                       | QTP-DL 2x36-40         | 4008321117922 | 0.33 A          | 68.00 W                      | 2800 lm                | 2                          |
|                       | QTP-M 1x26-42          | 4008321329134 | 0.16 A          | 35.00 W                      | 2700 lm                | 1                          |
|                       | QTP-M 2x26-32          | 4008321329158 | 0.30 A          | 68.00 W                      | 2700 lm                | 2                          |
|                       | QTP-OPTIMAL 1x18-40    | 4008321873743 | 0.15 A          | 34.00 W                      | 2700 lm                | 1                          |
|                       | QTP-OPTIMAL 2x18-40    | 4008321873767 | 0.30 A          | 67.00 W                      | 2700 lm                | 2                          |