

## FC 22 W/840

LUMILUX T5 FC | Circular fluorescent lamps 16 mm, with 2GX13 base



### Areas of application

- Public buildings
- Offices
- Restaurants
- Industry
- Shops
- Supermarkets and department stores
- Hotels

### Product benefits

- Extremely economical
- Good quality of light
- Excellent luminous flux
- Excellent uniform illumination with no shadows
- Good average life (with OSRAM ECG)

### Product features

- Good color rendering group: 1B ( $R_a$ : 80...89)
- Dimmable (from 100...1 % with QTi DALI/DIM ECG)
- Single-ended round fluorescent lamp
- Tube diameter: 16.0 mm



# Product datasheet

## Technical data

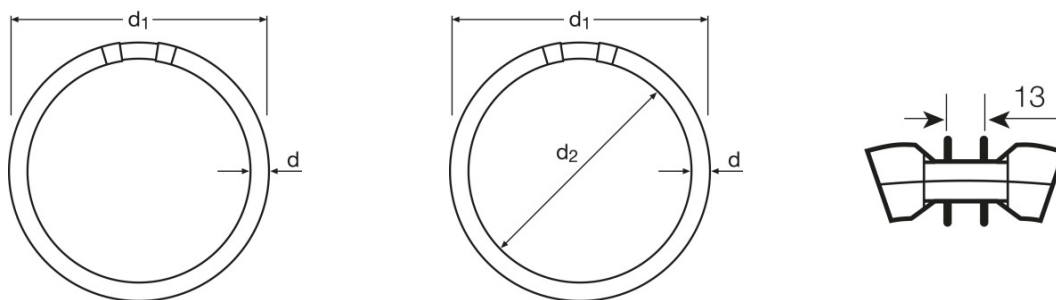
### Electrical data

|  |         |
|--|---------|
| Nominal wattage                          | 22.00 W |
| Rated lamp efficacy (standard condition) | 81 lm/W |
| Rated wattage                            | 22.30 W |
| Rated luminous flux                      | 1800 lm |

### Photometrical data

|                           |                    |
|---------------------------|--------------------|
| Color rendering index Ra  | ≥80                |
| Luminous flux at 25 °C    | 1900 lm            |
| Light color               | 840                |
| Color temperature         | 4000 K             |
| Nominal luminous flux     | 1900 lm            |
| Light color (designation) | LUMILUX Cool White |
| Rated LLMF at 2,000 h     | 0.85               |
| Rated LLMF at 4,000 h     | 0.83               |
| Rated LLMF at 6,000 h     | 0.80               |
| Rated LLMF at 8,000 h     | 0.80               |
| Rated LLMF at 12,000 h    | 0.75               |

### Dimensions & weight



|   |           |
|---|-----------|
| Tube diameter                               | 16 mm     |
| Length                                      | 230.0 mm  |
| Length with base excl. base pins/connection | 225.00 mm |
| Diameter                                    | 16.0 mm   |
| Maximum diameter                            | 16.0 mm   |

### Temperatures & operating conditions

## Product datasheet

|  |         |
|--|---------|
| Rated ambient temp.w.max.luminous flux | 35.0 °C |
|--|---------|

### Lifespan

|  |                       |
|--|-----------------------|
| Service life                           | 8000 h <sup>1)</sup>  |
| Lifespan                               | 12000 h <sup>1)</sup> |
| Rated lamp survival factor at 2,000 h  | 0.99                  |
| Rated lamp survival factor at 4,000 h  | 0.99                  |
| Rated lamp survival factor at 6,000 h  | 0.98                  |
| Rated lamp survival factor at 8,000 h  | 0.92                  |
| Rated lamp survival factor at 12,000 h | 0.50                  |
| Operation mode LLMF/LSF                | HF                    |
| Rated lamp life time                   | 12000 h               |
| Nominal lamp life time                 | 12000 h               |

<sup>1)</sup> With preheat ECG

### Additional product data

|                                   |                                 |
|-----------------------------------|---------------------------------|
| Base (standard designation)       | 2GX13                           |
| Lamp mercury content              | 3.8 mg                          |
| Appropriate disposal acc. to WEEE | Yes                             |
| Product remark                    | Suitable for ECG operation only |

### Capabilities

|                     |     |
|---------------------|-----|
| Suitable for indoor | Yes |
|---------------------|-----|

### Certificates & standards

|                         |              |
|-------------------------|--------------|
| Energy efficiency class | A            |
| Energy consumption      | 25 kWh/1000h |

## Light Distribution

---



Spectral power distribution

---

### System guarantee

OSRAM System+ Guarantee in combination with OSRAM ECGs

---

### Equipment / Accessories

- Exclusively for operation on electronic control gears

---

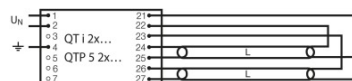
### Safety advice

In case of lamp breakage: [www.osram.com/brokenlamp](http://www.osram.com/brokenlamp)

## Product datasheet



Circuit diagram



Circuit diagram

### Logistical Data

| Product code  | Product description | Packaging unit<br>(Pieces/Unit) | Dimensions (length<br>x width x height) | Volume                | Gross weight |
|---------------|---------------------|---------------------------------|---|-----------------------|--------------|
| 4050300528465 | FC 22 W/840         | Shipping carton box<br>12       | 375 mm x 245 mm x<br>253 mm             | 23.24 dm <sup>3</sup> | 1865.00 g    |

The mentioned product code describes the smallest quantity unit which can be ordered. One shipping unit can contain one or more single products. When placing an order, for the quantity please enter single or multiples of a shipping unit.

### References / Links

For more information on the system guarantee and the terms and conditions of the guarantee visit

- ▶ [www.osram.com/system-guarantee](http://www.osram.com/system-guarantee)

For more information on QUICKTRONIC electronic control gear go to

- ▶ [www.osram.com/QUICKTRONIC](http://www.osram.com/QUICKTRONIC)

### Disclaimer

Subject to change without notice. Errors and omission excepted. Always make sure to use the most recent release.

## FC 22 W/840

LUMILUX T5 FC | Circular fluorescent lamps 16 mm, with 2GX13 base

| Product name | Product name ECG         | EAN           | Nominal current | Nominal wattage + Power loss | Luminous flux at 35 °C | Number of lighting outlets |
|--------------|--------------------------|---------------|-----------------|------------------------------|------------------------|----------------------------|
| FC 22 W/840  | QT-ECO 1x18-24/220-240 L | 4050300660417 | 0.16 A          | 22.50 W                      | 1650 lm                | 1                          |
|              | QT-ECO 1x18-24/220-240 S | 4050300638560 | 0.16 A          | 22.50 W                      | 1650 lm                | 1                          |
|              | QTi 1x14/24/21/39 GII    | 4008321383334 | 0.15 A          | 25.00 W                      | 1800 lm                | 1                          |
|              | QTi 1x14/24 DIM          | 4050300870922 | 0.11 A          | 25.00 W                      | 1750 lm                | 1                          |
|              | QTi 2x14/24/21/39 GII    | 4008321383396 | 0.21 A          | 49.00 W                      | 1800 lm                | 2                          |
|              | QTi 2x14/24 DIM          | 4050300870946 | 0.22 A          | 49.00 W                      | 1750 lm                | 2                          |
|              | QTi 3x14/24 DIM          | 4008321069719 | 0.32 A          | 73.00 W                      | 1750 lm                | 3                          |
|              | QTi 4x14/24 DIM          | 4008321069993 | 0.43 A          | 98.00 W                      | 1750 lm                | 4                          |
|              | QTi DALI 1x14/24 DIM     | 4050300870380 | 0.11 A          | 25.00 W                      | 1750 lm                | 1                          |
|              | QTi DALI 2x14/24 DIM     | 4050300870861 | 0.22 A          | 49.00 W                      | 1750 lm                | 2                          |
|              | QTi DALI 3x14/24 DIM     | 4008321069955 | 0.32 A          | 73.00 W                      | 1750 lm                | 3                          |
|              | QTi DALI 4x14/24 DIM     | 4008321070036 | 0.43 A          | 98.00 W                      | 1750 lm                | 4                          |
|              | QTi DALI-T/E 1x18-57 DIM | 4008321060808 | 0.12 A          | 26.00 W                      | 1800 lm                | 1                          |
|              | QTi DALI-T/E 2x18-42 DIM | 4008321060822 | 0.22 A          | 51.00 W                      | 1800 lm                | 2                          |
|              | QTi-T/E 1x18-57 DIM      | 4008321060860 | 0.12 A          | 26.00 W                      | 1750 lm                | 1                          |
|              | QTi-T/E 2x18-42 DIM      | 4008321060846 | 0.22 A          | 51.00 W                      | 1750 lm                | 2                          |
|              | QT-M 2x26-42/220-240 S   | 4008321110022 | 0.36 A          | 54.00 W                      | 1600 lm                | 2                          |
|              | QTP-M 1x26-42            | 4008321329134 | 0.12 A          | 25.00 W                      | 1800 lm                | 1                          |

## Product datasheet

| Product name | Product name ECG | EAN           | Nominal current | Nominal wattage + Power loss | Luminous flux at 35 °C | Number of lighting outlets |
|--------------|------------------|---------------|-----------------|------------------------------|------------------------|----------------------------|
|              | QTP-M 2x26-32    | 4008321329158 | 0.22 A          | 49.00 W                      | 1800 lm                | 2                          |

| Product name | Product name ECG         | EAN           | Luminous flux at 25 °C |
|--------------|--------------------------|---------------|------------------------|
| FC 22 W/840  | QT-ECO 1x18-24/220-240 L | 4050300660417 |                        |
|              | QT-ECO 1x18-24/220-240 S | 4050300638560 |                        |
|              | QTi 1x14/24/21/39 GII    | 4008321383334 |                        |
|              | QTi 1x14/24 DIM          | 4050300870922 |                        |
|              | QTi 2x14/24/21/39 GII    | 4008321383396 |                        |
|              | QTi 2x14/24 DIM          | 4050300870946 |                        |
|              | QTi 3x14/24 DIM          | 4008321069719 |                        |
|              | QTi 4x14/24 DIM          | 4008321069993 |                        |
|              | QTi DALI 1x14/24 DIM     | 4050300870380 |                        |
|              | QTi DALI 2x14/24 DIM     | 4050300870861 |                        |
|              | QTi DALI 3x14/24 DIM     | 4008321069955 |                        |
|              | QTi DALI 4x14/24 DIM     | 4008321070036 |                        |
|              | QTi DALI-T/E 1x18-57 DIM | 4008321060808 |                        |
|              | QTi DALI-T/E 2x18-42 DIM | 4008321060822 |                        |
|              | QTi-T/E 1x18-57 DIM      | 4008321060860 |                        |
|              | QTi-T/E 2x18-42 DIM      | 4008321060846 |                        |
|              | QT-M 2x26-42/220-240 S   | 4008321110022 | 1600 lm                |
|              | QTP-M 1x26-42            | 4008321329134 |                        |

## Product datasheet

| Product name | Product name ECG | EAN           | Luminous flux at 25 °C |
|--------------|------------------|---------------|------------------------|
|              | QTP-M 2x26-32    | 4008321329158 |                        |