

FC 22 W/865

LUMILUX T5 FC | Circular fluorescent lamps 16 mm, with 2GX13 base



Areas of application

- Public buildings
- Offices
- Restaurants
- Industry
- Shops
- Supermarkets and department stores
- Hotels

Product benefits

- Extremely economical
- Good quality of light
- Excellent luminous flux
- Excellent uniform illumination with no shadows
- Good average life (with OSRAM ECG)

Product features

- Good color rendering group: 1B (R_a : 80...89)
- Dimmable (from 100...1 % with QTi DALI/DIM ECG)
- Single-ended round fluorescent lamp
- Tube diameter: 16.0 mm



Product datasheet

Technical data

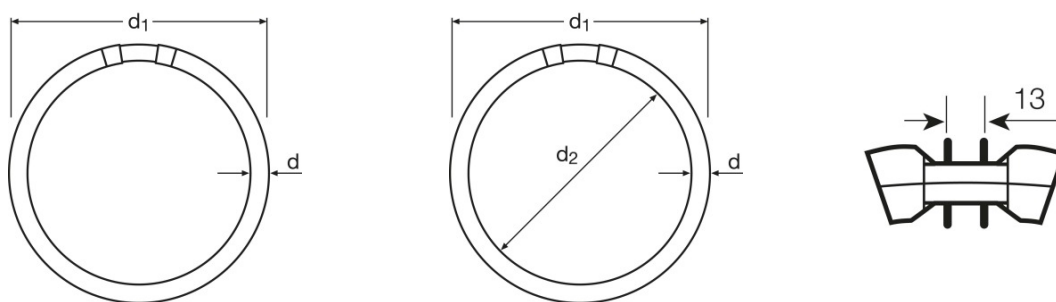
Electrical data

Nominal wattage	22.00 W
Rated lamp efficacy (standard condition)	77 lm/W
Rated wattage	22.30 W
Rated luminous flux	1710 lm

Photometrical data

Color rendering index Ra	≥80
Luminous flux at 25 °C	1800 lm
Light color	865
Color temperature	6500 K
Nominal luminous flux	1800 lm
Light color (designation)	LUMILUX Cool Daylight
Rated LLMF at 2,000 h	0.85
Rated LLMF at 4,000 h	0.83
Rated LLMF at 6,000 h	0.80
Rated LLMF at 8,000 h	0.80
Rated LLMF at 12,000 h	0.75

Dimensions & weight



Tube diameter	16 mm
Length	230.0 mm
Length with base excl. base pins/connection	225.00 mm
Diameter	16.0 mm
Maximum diameter	16.0 mm

Temperatures & operating conditions

Product datasheet

Rated ambient temp.w.max.luminous flux	35.0 °C
--	---------

Lifespan

Service life	8000 h ¹⁾
Lifespan	12000 h ¹⁾
Rated lamp survival factor at 2,000 h	0.99
Rated lamp survival factor at 4,000 h	0.99
Rated lamp survival factor at 6,000 h	0.98
Rated lamp survival factor at 8,000 h	0.92
Rated lamp survival factor at 12,000 h	0.50
Operation mode LLMF/LSF	HF
Rated lamp life time	12000 h
Nominal lamp life time	12000 h

¹⁾ With preheat ECG

Additional product data

Base (standard designation)	2GX13
Lamp mercury content	3.8 mg
Appropriate disposal acc. to WEEE	Yes
Product remark	Suitable for ECG operation only

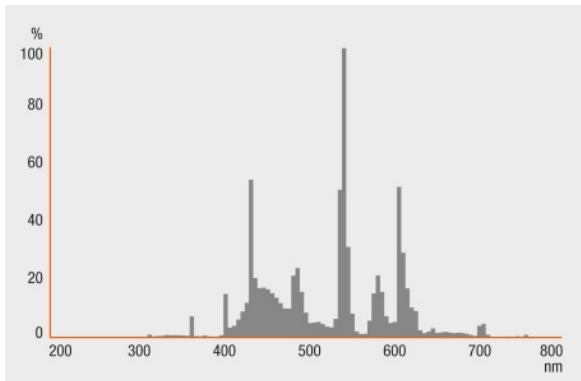
Capabilities

Suitable for indoor	Yes
---------------------	-----

Certificates & standards

Energy efficiency class	A
Energy consumption	25 kWh/1000h

Light Distribution



Spectral power distribution

System guarantee

OSRAM System+ Guarantee in combination with OSRAM ECGs

Equipment / Accessories

- Exclusively for operation on electronic control gears

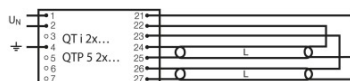
Safety advice

In case of lamp breakage: www.osram.com/brokenlamp

Product datasheet



Circuit diagram



Circuit diagram

Logistical Data

Product code	Product description	Packaging unit (Pieces/Unit)	Dimensions (length x width x height)	Volume	Gross weight
4050300528441	FC 22 W/865	Shipping carton box 12	375 mm x 245 mm x 253 mm	23.24 dm ³	1865.00 g

The mentioned product code describes the smallest quantity unit which can be ordered. One shipping unit can contain one or more single products. When placing an order, for the quantity please enter single or multiples of a shipping unit.

References / Links

For more information on the system guarantee and the terms and conditions of the guarantee visit

- ▶ www.osram.com/system-guarantee

For more information on QUICKTRONIC electronic control gear go to

- ▶ www.osram.com/QUICKTRONIC

Disclaimer

Subject to change without notice. Errors and omission excepted. Always make sure to use the most recent release.

FC 22 W/865

LUMILUX T5 FC | Circular fluorescent lamps 16 mm, with 2GX13 base

Product name	Product name ECG	EAN	Nominal current	Nominal wattage + Power loss	Luminous flux at 35 °C	Number of lighting outlets
FC 22 W/865	QT-ECO 1x18-24/220-240 L	4050300660417	0.16 A	22.50 W	1650 lm	1
	QT-ECO 1x18-24/220-240 S	4050300638560	0.16 A	22.50 W	1650 lm	1
	QTi 1x14/24/21/39 GII	4008321383334	0.15 A	25.00 W	1800 lm	1
	QTi 1x14/24 DIM	4050300870922	0.11 A	25.00 W	1750 lm	1
	QTi 2x14/24/21/39 GII	4008321383396	0.21 A	49.00 W	1800 lm	2
	QTi 2x14/24 DIM	4050300870946	0.22 A	49.00 W	1750 lm	2
	QTi 3x14/24 DIM	4008321069719	0.32 A	73.00 W	1750 lm	3
	QTi 4x14/24 DIM	4008321069993	0.43 A	98.00 W	1750 lm	4
	QTi DALI 1x14/24 DIM	4050300870380	0.11 A	25.00 W	1750 lm	1
	QTi DALI 2x14/24 DIM	4050300870861	0.22 A	49.00 W	1750 lm	2
	QTi DALI 3x14/24 DIM	4008321069955	0.32 A	73.00 W	1750 lm	3
	QTi DALI 4x14/24 DIM	4008321070036	0.43 A	98.00 W	1750 lm	4
	QTi DALI-T/E 1x18-57 DIM	4008321060808	0.12 A	26.00 W	1800 lm	1
	QTi DALI-T/E 2x18-42 DIM	4008321060822	0.22 A	51.00 W	1800 lm	2
	QTi-T/E 1x18-57 DIM	4008321060860	0.12 A	26.00 W	1750 lm	1
	QTi-T/E 2x18-42 DIM	4008321060846	0.22 A	51.00 W	1750 lm	2
	QT-M 2x26-42/220-240 S	4008321110022	0.36 A	54.00 W	1600 lm	2
	QTP-M 1x26-42	4008321329134	0.12 A	25.00 W	1800 lm	1

Product datasheet

Product name	Product name ECG	EAN	Nominal current	Nominal wattage + Power loss	Luminous flux at 35 °C	Number of lighting outlets
	QTP-M 2x26-32	4008321329158	0.22 A	49.00 W	1800 lm	2

Product name	Product name ECG	EAN	Luminous flux at 25 °C
FC 22 W/865	QT-ECO 1x18-24/220-240 L	4050300660417	
	QT-ECO 1x18-24/220-240 S	4050300638560	
	QTi 1x14/24/21/39 GII	4008321383334	
	QTi 1x14/24 DIM	4050300870922	
	QTi 2x14/24/21/39 GII	4008321383396	
	QTi 2x14/24 DIM	4050300870946	
	QTi 3x14/24 DIM	4008321069719	
	QTi 4x14/24 DIM	4008321069993	
	QTi DALI 1x14/24 DIM	4050300870380	
	QTi DALI 2x14/24 DIM	4050300870861	
	QTi DALI 3x14/24 DIM	4008321069955	
	QTi DALI 4x14/24 DIM	4008321070036	
	QTi DALI-T/E 1x18-57 DIM	4008321060808	
	QTi DALI-T/E 2x18-42 DIM	4008321060822	
	QTi-T/E 1x18-57 DIM	4008321060860	
	QTi-T/E 2x18-42 DIM	4008321060846	
	QT-M 2x26-42/220-240 S	4008321110022	1600 lm
	QTP-M 1x26-42	4008321329134	

Product datasheet

Product name	Product name ECG	EAN	Luminous flux at 25 °C
	QTP-M 2x26-32	4008321329158	