

FC 40 W/830

LUMILUX T5 FC | Circular fluorescent lamps 16 mm, with 2GX13 base



Areas of application

- Public buildings
- Offices
- Restaurants
- Industry
- Shops
- Supermarkets and department stores
- Hotels

Product benefits

- Extremely economical
- Good quality of light
- Excellent luminous flux
- Excellent uniform illumination with no shadows
- Good average life (with OSRAM ECG)

Product features

- Good color rendering group: 1B (R_a : 80...89)
- Dimmable (from 100...1 % with QTi DALI/DIM ECG)
- Single-ended round fluorescent lamp
- Tube diameter: 16.0 mm



Product datasheet

Technical data

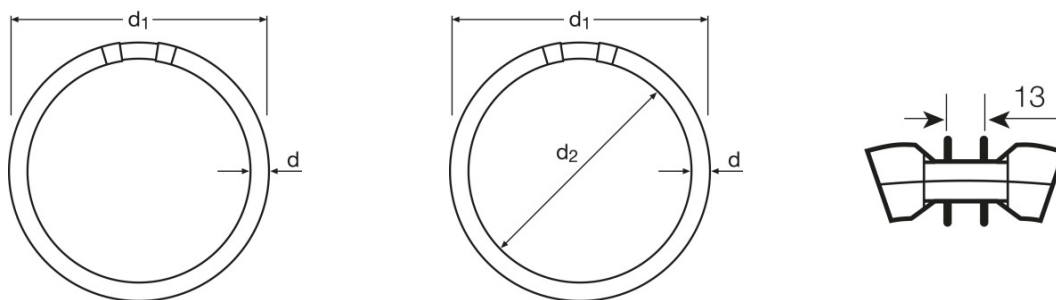
Electrical data

Nominal wattage	40.00 W
Rated lamp efficacy (standard condition)	85 lm/W
Rated wattage	39.90 W
Rated luminous flux	3400 lm

Photometrical data

Color rendering index Ra	≥80
Luminous flux at 25 °C	3400 lm
Light color	830
Color temperature	3000 K
Nominal luminous flux	3400 lm
Light color (designation)	LUMILUX Warm White
Rated LLMF at 2,000 h	0.85
Rated LLMF at 4,000 h	0.83
Rated LLMF at 6,000 h	0.80
Rated LLMF at 8,000 h	0.80
Rated LLMF at 12,000 h	0.75

Dimensions & weight



Tube diameter	16 mm
Length	305.0 mm
Length with base excl. base pins/connection	300.00 mm
Diameter	16.0 mm
Maximum diameter	16.0 mm

Temperatures & operating conditions

Product datasheet

Rated ambient temp.w.max.luminous flux	35.0 °C
--	---------

Lifespan

Service life	8000 h ¹⁾
Lifespan	12000 h ¹⁾
Rated lamp survival factor at 2,000 h	0.99
Rated lamp survival factor at 4,000 h	0.99
Rated lamp survival factor at 6,000 h	0.98
Rated lamp survival factor at 8,000 h	0.92
Rated lamp survival factor at 12,000 h	0.50
Operation mode LLMF/LSF	HF
Rated lamp life time	12000 h
Nominal lamp life time	12000 h

¹⁾ With preheat ECG

Additional product data

Base (standard designation)	2GX13
Lamp mercury content	3.8 mg
Appropriate disposal acc. to WEEE	Yes
Product remark	Suitable for ECG operation only

Capabilities

Suitable for indoor	Yes
---------------------	-----

Certificates & standards

Energy efficiency class	A+
Energy consumption	44 kWh/1000h

Light Distribution



Spectral power distribution

System guarantee

OSRAM System+ Guarantee in combination with OSRAM ECGs

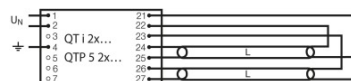
Equipment / Accessories

- Exclusively for operation on electronic control gears

Safety advice

In case of lamp breakage: www.osram.com/brokenlamp

Product datasheet



Circuit diagram

Circuit diagram

Logistical Data

Product code	Product description	Packaging unit (Pieces/Unit)	Dimensions (length x width x height)	Volume	Gross weight
4050300528540	FC 40 W/830	Shipping carton box 12	375 mm x 320 mm x 328 mm	39.36 dm ³	2787.00 g

The mentioned product code describes the smallest quantity unit which can be ordered. One shipping unit can contain one or more single products. When placing an order, for the quantity please enter single or multiples of a shipping unit.

References / Links

For more information on the system guarantee and the terms and conditions of the guarantee visit

- ▶ www.osram.com/system-guarantee

For more information on QUICKTRONIC electronic control gear go to

- ▶ www.osram.com/QUICKTRONIC

Disclaimer

Subject to change without notice. Errors and omission excepted. Always make sure to use the most recent release.

FC 40 W/830

LUMILUX T5 FC | Circular fluorescent lamps 16 mm, with 2GX13 base

Product name	Product name ECG	EAN	Nominal current	Nominal wattage + Power loss	Luminous flux at 35 °C	Number of lighting outlets
FC 40 W/830	QTi 1x14/24/21/39 GII	4008321383334	0.19 A	43.00 W	3200 lm	1
	QTi 1x21/39 DIM	4050300870564	0.18 A	42.00 W	3100 lm	1
	QTi 2x14/24/21/39 GII	4008321383396	0.36 A	88.00 W	3200 lm	2
	QTi 2x21/39 DIM	4050300870694	0.36 A	82.00 W	3100 lm	2
	QTi DALI 1x21/39 DIM	4050300870366	0.18 A	42.00 W	3100 lm	1
	QTi DALI 2x21/39 DIM	4050300870489	0.36 A	82.00 W	3100 lm	2
	QTi DALI-T/E 1x18-57 DIM	4008321060808	0.20 A	45.00 W	3200 lm	1
	QTi DALI-T/E 2x18-42 DIM	4008321060822	0.38 A	87.00 W	3200 lm	2
	QTi-T/E 1x18-57 DIM	4008321060860	0.20 A	45.00 W	3200 lm	1
	QTi-T/E 2x18-42 DIM	4008321060846	0.38 A	87.00 W	3200 lm	2
	QT-M 2x26-42/220-240 S	4008321110022	0.36 A	88.00 W	3200 lm	2
	QTP-M 1x26-42	4008321329134	0.19 A	43.00 W	3200 lm	1