



# HF-Performer III for TL-D lamps

HF-P 3/418 TL-D III 220-240V 50/60Hz IDC

HF-Performer III TL-D III ballasts offer maximum versatility and meet all of the necessary commercial grade specifications. They also offer the added benefits of lamp striation reduction technology, making these ballasts compatible with energy-saving lamps. As such, these ballasts are part of an overall high-efficiency lighting system that may help you or your customers to achieve any international or local energy code you need to comply with. HF-Performer III TL-D III ballasts are the ideal choice for a broad range of new construction and retrofit applications within the commercial sector, including general surface mounting or office lighting, parking garages, warehouses, waterproof and other applications.

## Product data

### • General Information

Application Code	III
Type Version	IDC
Lamp Type	TL-D
Number Of Lamps	3/4 piece/unit
Number Of Products	28
On MCB (16A Type B) (Nom)	
Automatic Restart	Yes

### • Operating and Electrical

Input Voltage	220 to 240 V
Input Frequency	50 to 60 Hz
Operating Frequency (Nom)	45 kHz
Ignition Method	Programmed Start
Crestfactor (Max)	1.7
Power Factor 100%	0.98
Load (Nom)	
Ignition Time (Max)	0.9 s
Mains Voltage	-8%+6%
Performance (AC)	
Mains Voltage Safety (AC)	-10%+10%
Earth Leakage Current (Nom)	0.5 mA
Inrush Current	0.25 ms
Width	
Constant Wattage Deviation	-2%/+2%
Ballast Factor (Nom)	1.06

Power Losses (Nom)	3.90-4.55 W
Inrush Current Peak (Max)	18 A

### • Wiring

Connector Type	WAGO 251 universal connector
Input Terminals	[ Suitable for both automatic wiring (ALF and ADS) and manual wiring]
Cable Capacity	200 pF
Output Wires Mutual (Nom)	
Connector Type	WAGO 251 universal connector
Output Terminals	[ Suitable for both automatic wiring (ALF and ADS) and manual wiring]
Cable Length Hot Wiring	0.75 m
Wire Striplength	8.0-9.0 mm
Dual Fixture Master/Slave	Not applicable [ Master/Slave oper. not applicable]
Input Terminal Cross Section	0.50-1.00 mm <sup>2</sup>
Output Terminal Cross Section	0.50-1.00 mm <sup>2</sup>
Cable Capacity	200 pF
Output Wires To Earth (Nom)	

### • System characteristics

Rated Ballast-Lamp Power	18 W
--------------------------	------

**PHILIPS**

# HF-Performer III for TL-D lamps

Rated Lamp Power On TL-D	18 W
System Power On TL-D	52.6/70.8 W
Lamp Power On TL-D	48.7/66.2 W
Power Loss On TL-D	3.9/4.6 W

## • Temperature

T-Ambient (Max)	60 °C
T-Ambient (Min)	-25 °C
T-Storage (Max)	50 °C
T-Storage (Min)	-40 °C
T-Case Lifetime (Nom)	80 °C
T-Case Maximum (Max)	80 °C
T-Ignition (Max)	60 °C
T-Ignition (Min)	-25 °C

## • Mechanical and Housing

Housing	L280X40X28
---------	------------

## • Emergency Operation

Nominal Light Output After 60 Seconds	100% of EBLF
Battery Voltage Lamp Ignition	186-275 V
Normal Operating Voltage (DC)	220-240 V
Battery Voltage Lamp Operation	186-275 V
Battery Voltage Guaranteed Operation	176-275 V
Battery Voltage Guaranteed Ignition	186-275 V
Emergency Ballast Lumen Factor (EBLF) (Nom)	0.7 %
Nominal Light Output After 5 Seconds	50% of EBLF

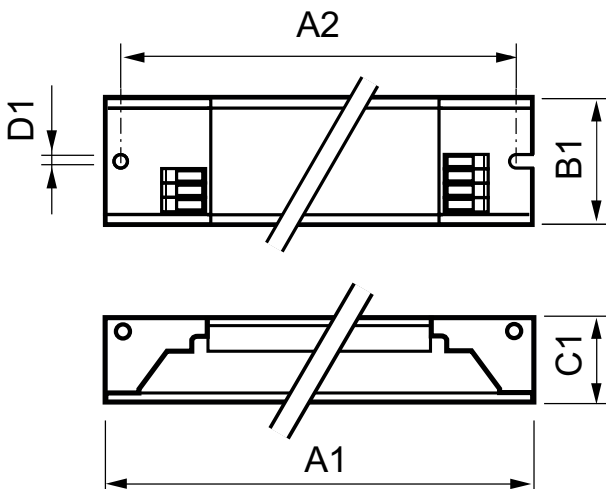
## • Approval and Application

Energy Efficiency Index	A2 BAT
EMI 9 kHz ... 30 MHz	EN55015
EMI 30 MHz ... 1000 MHz	EN55022LEVELB
Safety Standard	IEC 61347-2-3
Performance Standard	IEC60929
Quality Standard	ISO 9000:2000
Environmental Standard	ISO14001
Harmonic Current Emission Standard	IEC61000-3-2
EMC Immunity Standard	IEC 61547
Vibration Standard	IEC68-2-6FC
Bumps Standard	IEC 68-2-29 Eb
Humidity Standard	EN61347-2-3CLAUSE11
Approval Marks	CE marking ENEC certificate VDE-EMV certificate
Temperature Marking	Yes
Emergency Standard	IEC 60598-2-22
Hum And Noise Level	< 30 dB(A)

## • Product Data

Full product code	872790091162600
Order product name	HF-P 3/418 TL-D III 220-240V 50/60Hz IDC
EAN/UPC - Product	8711500999627
Order code	913713031466
Numerator - Quantity Per Pack	1
Numerator - Packs per outer box	10
Material Nr. (12NC)	913713031466
Net Weight (Piece)	0.250 kg

## Dimensional drawing

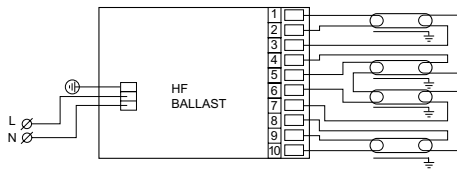


## HF-P 3/418 TL-D III 220-240V 50/60Hz IDC

Product	D1	C1	A1	A2	B1
HF-P 3/418 TL-D III 220-240V 50/60Hz IDC	4.2 mm	28.0 mm	280.0 mm	265.0 mm	40.0 mm

# HF-Performer III for TL-D lamps

## Dimensional drawing



## Photometric data

Ballast type	Lamp type	Lamp power	T <sub>a</sub> = 40°C	T <sub>a</sub> = 50°C	T <sub>a</sub> = 60°C	T <sub>a</sub> = 70°C	Ballast type	Lamp type	Lamp power	T <sub>a</sub> = 40°C	T <sub>a</sub> = 50°C	T <sub>a</sub> = 60°C	T <sub>a</sub> = 70°C
HF-P 3418 TL-D III 220-240V 50/60Hz	TL-D General	33i/BW	T <sub>e</sub> = 155°C Lifetime 100,000 Hrs	165°C 100,000 Hrs	173°C 80,000 Hrs	X	HF-P 3418 TL-D III 220-240V 50/60Hz	TL-D General	43i/BW	T <sub>e</sub> = 137°C Lifetime 100,000 Hrs	147°C 100,000 Hrs	155°C 70,000 Hrs	X



© 2015 Philips Lighting Holding B.V.  
All rights reserved.

Specifications are subject to change without notice. Trademarks are the property of Koninklijke Philips N.V. (Royal Philips) or their respective owners.

[www.philips.com/lighting](http://www.philips.com/lighting)

2015, December 23  
data subject to change