



MASTER TL5 Circular

MASTER TL5 Circular 22W/830 1CT/10

This circular TL5 lamp (tube diameter 16 mm) offers extended design possibilities. The slim tube allows the creation of extremely flat luminaires and enables omnidirectional light distribution. It is suitable for a wide range of professional and semi-professional applications, and is ideal for use in shops, offices and public areas with unconventional layouts.

Product data

• General Information

Cap-Base	2GX13 [2GX13]
Life To 50% Failures	12000 h
Preheat (Nom)	

• Light Technical

Color Code	830 [CCT of 3000K]
Luminous Flux (Nom)	1800 lm
Luminous Flux (Rated) (Nom)	1800 lm
Color Designation	Warm White (WW)
Chromaticity Coordinate X (Nom)	440
Chromaticity Coordinate Y (Nom)	403
Correlated Color Temperature (Nom)	3000 K
Luminous Efficacy (rated) (Nom)	82 lm/W
Color Rendering Index (Max)	85
Color Rendering Index (Min)	80
Color Rendering Index (Nom)	85

• Operating and Electrical

Power (Rated) (Nom)	22.3 W
Lamp Current (Nom)	0.300 A

• Temperature

Design Temperature (Nom)	35 °C
--------------------------	-------

• Controls and Dimming

Dimmable	Yes
----------	-----

• Approval and Application

Energy Efficiency Label (EEL)	A
Mercury (Hg) Content (Nom)	2.5 mg
Energy Consumption kWh/1000 h	25 kWh

• Product Data

Full product code	871150064095625
Order product name	MASTER TL5 Circular 22W/830 1CT/10
EAN/UPC - Product	8711500640956
Order code	927965083013
Numerator - Quantity Per Pack	1
Numerator - Packs per outer box	10
Material Nr. (12NC)	927965083013
Net Weight (Piece)	45.000 g
ILCOS Code	FSCH-22/30/1B-L/P-2GX13-16

PHILIPS

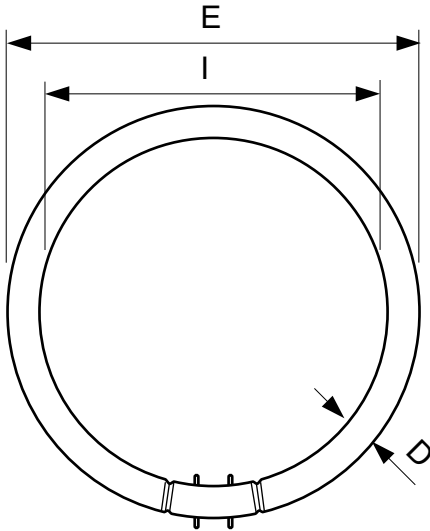
MASTER TL5 Circular

Warnings and Safety

- A lamp breaking is extremely unlikely to have any impact on your health. If a lamp breaks, ventilate the room for 30 minutes and

remove the parts, preferably with gloves. Put them in a sealed plastic bag and take it to your local waste facilities for recycling. Do not use a vacuum cleaner.

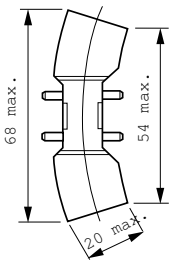
Dimensional drawing



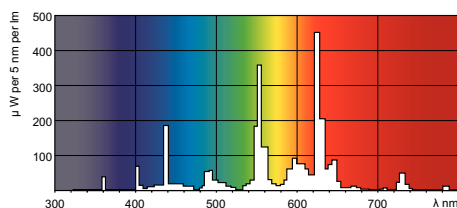
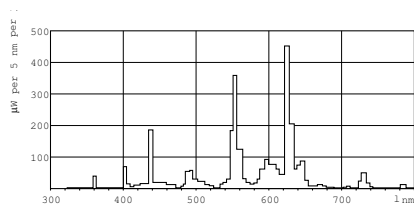
C-T5, 2GX13

TL5-C 22W/830

Product	D	D	E	E	I	I
MASTER TL5 Circular 22W/830 1CT/10	18 mm	14 mm	220 mm	230 mm	187 mm	197 mm



Photometric data





© 2015 Philips Lighting Holding B.V.
All rights reserved.

Specifications are subject to change without notice. Trademarks are the property of Koninklijke Philips N.V. (Royal Philips) or their respective owners.

www.philips.com/lighting

2015, December 28
data subject to change