



# InfraRed Industrial Heat Incandescent

PAR38 IR 175W E27 240V Red 1CT/12

The Philips infrared incandescent reflector lamps are designed to work in the toughest environment such as farm, bathroom or kitchen and their nearest surrounding. They have a reinforced construction thanks to hard glass use. Their compact form and universal cap base allow them to be used with any suitable equipment. A very good method of generating warmth is by using heat lamps. The Philips infrared lamps provide direct, draught-free warmth to the animals, people, but also food. These benefits have made farmers, consumers and cooks around the world choose Philips infrared lamps, because they are the sturdiest, most efficient lamps available for these applications.

## Product data

### • General Information

Cap-Base	E27 [ E27]
Operating Position	H45 [ h45]
Main Application	Infrared Industrial
Nominal Lifetime (Nom)	5000 h

### • Light Technical

Color Designation	R
-------------------	---

### • Operating and Electrical

Power (Rated) (Nom)	175 W
Voltage (Nom)	240 V

### • Controls and Dimming

Dimmable	Yes
----------	-----

### • Mechanical and Housing

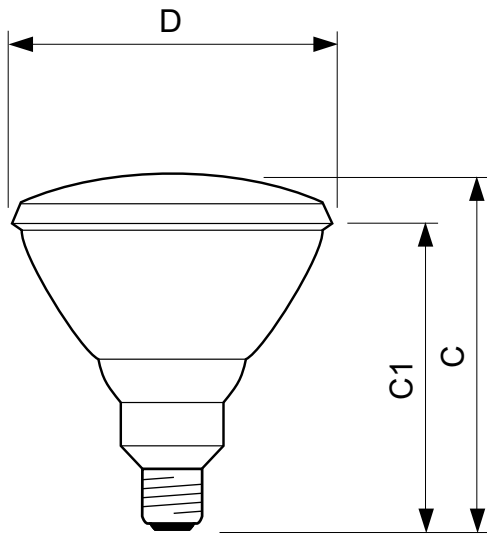
Bulb Finish	Red
Bulb Material	Hard Glass

### • Product Data

Full product code	871150012898015
Order product name	PAR38 IR 175W E27 240V Red 1CT/12
EAN/UPC - Product	8711500128980
Order code	923801445507
Numerator - Quantity Per Pack	1
Numerator - Packs per outer box	12
Material Nr. (12NC)	923801445507
Net Weight (Piece)	308.000 g

**PHILIPS**

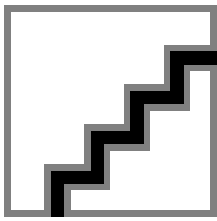
Dimensional drawing



E26/E27, PAR38

PAR38 IR 175W E27 240V Red

Product	D	C	C1
PAR38 IR 175W E27 240V Red 1CT/12	121 mm	136 mm	124 mm



© 2015 Philips Lighting Holding B.V.  
All rights reserved.

Specifications are subject to change without notice. Trademarks are the property of Koninklijke Philips N.V. (Royal Philips) or their respective owners.

[www.philips.com/lighting](http://www.philips.com/lighting)

2015, December 24  
data subject to change