



# CorePro LED PLC

## CorePro LED PLC 6.5W 840 2P G24d-2

The Philips CorePro LED PLC integrates a LED light source into a traditional fluorescent form factor. This product is the ideal solution for uplamping in general lighting applications: it meets basic lighting requirements, offers significant energy savings, and is environmentally friendly.

### Product data

#### • General Information

Cap-Base	G24D-2
Main Application	Industrial
Nominal Lifetime (Nom)	30000 h
Switching Cycle B50L70	50000X 30000

#### • Light Technical

Color Code	840 [ CCT of 4000K (841)]
Beam Angle (Nom)	120 °
Luminous Flux (Rated) (Nom)	650 lm
Rated Beam Angle	120 °
Correlated Color Temperature (Nom)	4000 K
Color Consistency	<6
Color Rendering Index (Nom)	83
LLMF At End Of Nominal Lifetime (Nom)	70 %

#### • Operating and Electrical

Input Frequency	50 to 60 Hz
Power (Rated) (Nom)	6.5 W
Starting Time (Max)	0.5 s
Warm Up Time To 60% Light (Nom)	instant full light
Power Factor (Min)	0.9
Voltage (Nom)	The lamp must be connected with EM ballast 220-240 V

#### • Temperature

T-Ambient (Max)	35 °C
T-Ambient (Min)	-20 °C
T-Storage (Max)	65 °C
T-Storage (Min)	-40 °C
T-Case Maximum (Nom)	65 °C

#### • Controls and Dimming

Dimmable	No
----------	----

#### • Mechanical and Housing

Product Length	100 mm
Dimensions (Height x Width x Depth)	NaN x NaN x NaN mm (NaN x NaN x NaN in)

#### • Approval and Application

Energy Saving Product	Yes
Suitable For Accent Lighting	No
Energy Efficiency Label (EEL)	A+
Approval Marks	CE marking RoHS compliance KEMA Keur certificate
Energy Consumption kWh/1000 h	9 kWh

#### • Product Data

Full product code	871869654129600
Order product name	CorePro LED PLC 6.5W 840 2P G24d-2

**PHILIPS**

# CorePro LED PLC

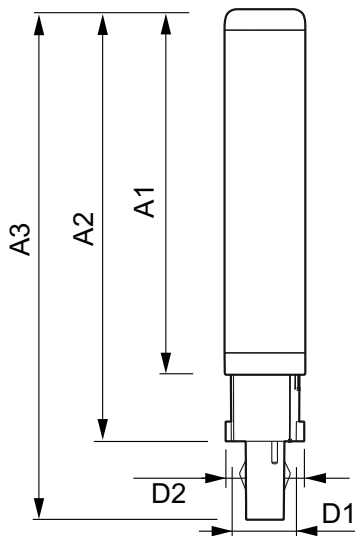
EAN/UPC - Product 8718696541296  
Order code 929001201502  
Numerator - Quantity Per Pack 1

Numerator - Packs per outer box 10  
Material Nr. (12NC) 929001201502  
Net Weight (Piece) 0.077 kg

## Warnings and Safety

- **NOTES:** The overall energy efficiency and light distribution of any installation that uses these lamps are determined by the design of the installation.

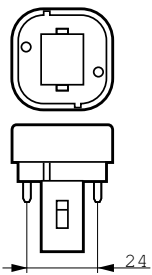
## Dimensional drawing



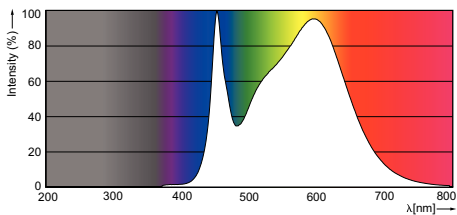
G24d-2, 2P

### LEDtube PLC 6.5W G24d-2/840 2P

Product	D1	D2	A1	A2	A3
CorePro LED PLC 6.5W 840 2P G24d-2	24.3 mm	28.4 mm	105.3 mm	124.5 mm	147.1 mm



## Photometric data





© 2016 Philips Lighting Holding B.V.  
All rights reserved.

Specifications are subject to change without notice. Trademarks are the property of Koninklijke Philips N.V. (Royal Philips) or their respective owners.

[www.philips.com/lighting](http://www.philips.com/lighting)

2016, September 6  
data subject to change