

PRODUCT DATASHEET

ENDURA STYLE Ellipse 500 13 W DG

OUTDOOR SURFACE SQUARE | Wall and ceiling luminaires with modern design in square shape



Areas of application

- Outdoor use (IP44)
- Gardens, balconies and other outdoor areas
- Building facades
- Pathway lighting
- Driveways

Product benefits

- Energy-efficient thanks to LED technology
- Easy and quick installation

Product features

- Very bright and functional outdoor LED luminaires
- Die-cast aluminum housing
- Available as wall and bollard luminaires



TECHNICAL DATA**Electrical data**

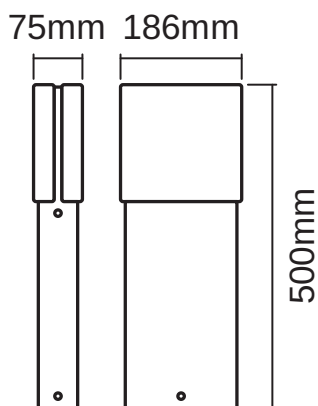
Nominal wattage	12.50 W
Nominal voltage	220...240 V
Mains frequency	50...60 Hz
Nominal current	70.000 mA
Power factor λ	> 0.5
Protection class	I
Operating mode	Mains voltage

Photometrical data

Luminous flux	950 lm
Luminous efficacy	76 lm/W
Color temperature	3000 K
Light color (designation)	Warm White
Color rendering index Ra	> 80
Standard deviation of color matching	≤ 6 sdc _m
Beam angle	122 °

Dimensions & Weight

Length	75.00 mm
Width	186.00 mm
Height	500.00 mm
Product weight	2000.00 g



Materials & Colors

Product color	Dark gray
Housing color	Dark gray
Body material	Aluminum
Cover material	Polycarbonate (PC)
Mercury content	0.0 mg

Application & Mounting

Ambient temperature range	-20...+40 °C
Temperature range at storage	-20...+85 °C
Type of connection	Screw terminal
Type of protection	IP44
Dimmable	No
Mounting type	Surface
Mounting location	Wall
Application environment	Outdoor
LED module replaceable	Not replaceable

Lifespan

Number of switching cycles	15000
----------------------------	-------




Certificates & Standards

Standards	CE / EAC / REACH / RoHS
-----------	-------------------------

EQUIPMENT / ACCESSORIES

- Complete mounting and connecting accessories included

DOWNLOAD DATA

DOWNLOAD DATA	
	User instruction ENDURA STYLE ELLIPSE
	Tender documents Tender Text 4058075205093
	Declarations of conformity ENDURA STYLE LUM

DOWNLOAD DATA



Packaging insert
Legal insert C Outdoor - Not dimmable

LOGISTICAL DATA

Product code	Packaging unit (Pieces/Unit)	Dimensions (length x width x height)	Gross weight	Volume
4058075205093	Folding box 1	84 mm x 194 mm x 521 mm	2180.00 g	8.49 dm ³
4058075205109	Shipping box 2	205 mm x 185 mm x 540 mm	4597.00 g	20.48 dm ³

The mentioned product code describes the smallest quantity unit which can be ordered. One shipping unit can contain one or more single products. When placing an order, for the quantity please enter single or multiples of a shipping unit.

DISCLAIMER

Subject to change without notice. Errors and omission excepted. Always make sure to use the most recent release.