

MASTERC colour CDM-T Elite MW

MASTERC colour CDM-TMW Elite 315W/942 1CT

The medium wattage lighting system that gives superior, longer-lasting white light for both indoor and outdoor use



Product data

• General Characteristics

| | |
|-------------------------|----------------------------|
| Cap-Base | PGZX18. |
| Bulb | T12 [38 mm] |
| Bulb Finish | Clear |
| Operating Position | any [Any or Universal (U)] |
| Life to 5% failures EL | 10000 hr |
| Life to 10% failures EL | 12000 hr |
| Life to 50% failures EL | 30000 hr |

• Light Technical Characteristics

| | |
|-----------------------------|------------------------|
| Color Code | 942 [CCT of 4200K] |
| Color Rendering Index | 87 (min), 90 (nom) Ra8 |
| Color Designation (text) | Cool White |
| Color Temperature | 4140 K |
| Color Temperature Technical | 4140 K |
| Luminous Flux Lamp EL | 34300 Lm |
| Luminous Efficacy Lamp EL | 109 Lm/W |
| Lumen Maintenance 2000h | 97 % |
| Lumen Maintenance 5000h | 96 % |
| Lumen Maintenance 8000h | 95 % |
| Lumen Maintenance EL 10000h | 93 % |
| Lumen Maintenance 12000h | 91 % |
| Lumen Maintenance 20000h | 80 % |

| | |
|------------------------------|----------|
| Lumen Maintenance - 10% life | 97 % |
| Lumen Maintenance - 40% life | 95 % |
| Design Mean Lumens | 30780 Lm |
| Chromaticity Coordinate X | 0.376 - |
| Chromaticity Coordinate Y | 0.379 - |

• Electrical Characteristics

| | |
|-------------------------------|--------------|
| Lamp Wattage | 315 W |
| Lamp Wattage EL 25°C, Rated | 315.0 W |
| Lamp Wattage EL 25°C, Nominal | 315.0 W |
| Lamp Voltage | 100 V |
| Lamp Current EL | 3.15 A |
| Lamp Current Run-Up | 4.7 A |
| Ignition Time | 3 (max) s |
| Run-up time 90% | 3 (max) min |
| Re-ignition Time [min] | 10 (max) min |

• Environmental Characteristics

| | |
|-------------------------------|-------------|
| Energy Efficiency Label (EEL) | A+ |
| Mercury (Hg) Content | 24 (max) mg |
| Picogram per Lumen Hour | 39.0 p/LuHr |
| Energy consumption kWh/1000h | 346 kWh |

PHILIPS

• UV-related Characteristics

| | |
|--------------------|-------------------------|
| Damage Factor D/fc | 0.20 - |
| PET (NIOSH) | 26 h500lx |
| UV A | 5.82 mW/cm ² |
| UV B | 0.03 mW/cm ² |
| UV C | 0.20 mW/cm ² |

• Luminaire Design Requirements

| | |
|----------------------|-------------|
| Cap-Base Temperature | 250 C |
| Pinch Temperature | 300 (max) C |
| Bulb Temperature | 350 (max) C |

• Product Dimensions

| | |
|-------------------------------|---------------------------------|
| Overall Length C | 193 mm |
| Diameter D | 38 mm |
| Light Center Length L | 88 (min), 90 (nom), 92 (max) mm |
| Arc Length O | 14 mm |
| Maximum Overall Length [inch] | 7.6 (max) in |

| | |
|------------------------------|---------|
| Light Center Length L [inch] | 3.54 in |
| Diameter D [inch] | 1.5 in |

• Product Data

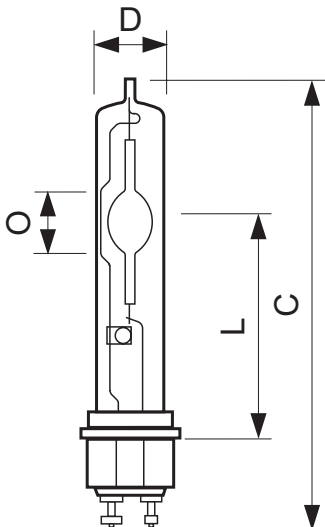
| | |
|-----------------------------|--|
| Order code | 928601167331 |
| Full product code | 928601167331 |
| Full product name | MasterColor CDM-T Elite 315W/942 U 1CT |
| Order product name | CDM Elite TMW 315/942/U/O EU |
| Pieces per pack | 1 |
| Packing configuration | 12 |
| Packs per outerbox | 12 |
| Bar code on pack - EAN1 | 8727900862157 |
| Bar code on outerbox - EAN3 | 8718291139614 |
| Logistic code(s) - 12NC | 928601167331 |
| ILCOS code | MTS-315/42/1A-H-PGZX18 |
| Net weight per piece | 200.000 gr |

Warnings and Safety

- Use only in totally enclosed luminaire, even during testing, except for protected versions with PGZX18 cap, which are designed for open luminaires (IEC61167, IEC 62035, IEC60598)
- The luminaire must be able to contain hot lamp parts if the lamp ruptures
- Use only with electronic control gear

- Control gear must include end-of-life protection (IEC61167, IEC 62035)
- A lamp breaking is extremely unlikely to have any impact on your health. If a lamp breaks, ventilate the room for 30 minutes and remove the parts, preferably with gloves. Put them in a sealed plastic bag and take it to your local waste facilities for recycling. Do not use a vacuum cleaner.

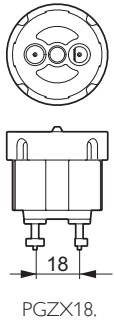
Dimensional drawing



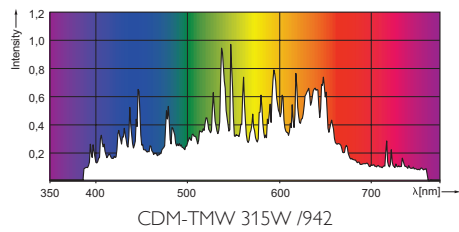
MASTERColour CDM-TMW Elite 315W/942 1CT

| Product | C (Norm) | C (Max) | D (Norm) | D (Max) |
|------------------------------|----------|---------|----------|---------|
| CDM TMW 315W/942 PGZX18. U.P | 193 | - | 38 | - |

Dimensional drawing



Photometric data



© 2015 Koninklijke Philips N.V. (Royal Philips)
All rights reserved.

Specifications are subject to change without notice. Trademarks are the property of Koninklijke Philips N.V. (Royal Philips) or their respective owners.

www.philips.com/lighting

2015, August 29
data subject to change