



MASTER LEDspot LV AR111

MAS LEDspotLV D 20-100W 930 AR111 45D

Delivering a warm, halogen-like accent beam, MASTER LEDspot LV AR111 is an ideal retrofit solution for spot and general lighting applications in the hospitality and retail industry. It is particularly suitable for general lighting where the light is on all the time, such as creative accent lighting applications in shops, restaurants, hotels, and especially for galleries, exhibitions and museums. The robustly designed MASTER LEDspot LV AR111 offers various beam angles for a clearly defined beam spread. There is no UV or IR in the beam, making it suitable for illuminating heat-sensitive objects (food, organic materials, paintings, etc.). The patented intelligent driver enables broad compatibility with existing electromagnetic and electronic halogen transformers. MASTER LEDspot LV AR111 delivers huge energy savings and minimises maintenance cost without any reduction in brightness.

Product data

General Information	
Cap base	G53 [G53]
EU RoHS compliant	Yes
Nominal lifetime (nom.)	25000 h
Switching cycle	50,000X
Technical type	20-100W
Light Technical	
Colour Code	930 [CCT of 3,000 K]
Beam Angle (Nom)	45°
Luminous flux (nom.)	1200 lm
Luminous intensity (nom.)	1800 cd
Colour designation	White (WH)
Correlated Colour Temperature (Nom)	3000 K

Luminous efficacy (rated) (nom.)	60.00 lm/W
Colour consistency	<4
Colour rendering index (nom.)	91
LLMF at end of nominal lifetime (nom.)	70 %
Luminous flux in 90° cone (rated)	1200 lm
Operating and Electrical	
Input frequency	- Hz
Power (Rated) (Nom)	20 W
Lamp current (nom.)	2400 mA
Wattage equivalent	100 W
Starting time (nom.)	0.5 s
Warm-up time to 60% light (nom.)	0.5 s
Power factor (nom.)	0.7

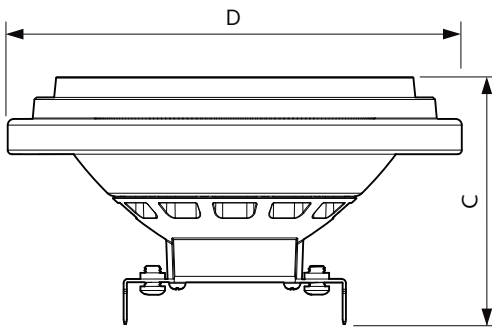
MASTER LEDspot LV AR111

Voltage (Nom)	ac electronic 12 V
Temperature	
T-Case maximum (nom.)	80 °C
Controls and Dimming	
Dimmable	Yes
Approval and Application	
Energy efficiency label (EEL)	A
Suitable for accent lighting	Yes
Energy consumption kWh/1,000 hours	22 kWh

Product Data

Full product code	871869970517600
Order product name	MAS LEDspotLV D 20-100W 930 AR111 45D
EAN/UPC – product	8718699705176
Order code	70517600
Numerator – quantity per pack	1
Numerator – packs per outer box	6
SAP material	929002050602
SAP net weight (piece)	0.160 kg

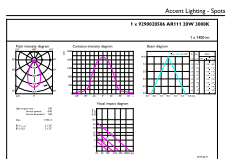
Dimensional drawing



MAS LEDspotLV D 20-100W 930 AR111 45D

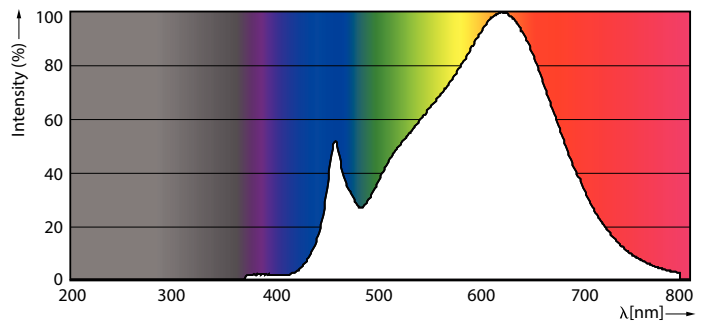
Product	D	C
MAS LEDspotLV D 20-100W 930 AR111 45D	111 mm	62 mm

Photometric data



Calculation: Photometric data for MAS LEDspotLV D 20-100W 930 AR111 45D

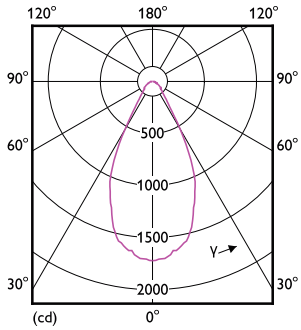
LEDspots 100W G53 AR111 930 45D



LEDspots 100W G53 AR111 930

MASTER LEDspot LV AR111

Photometric data

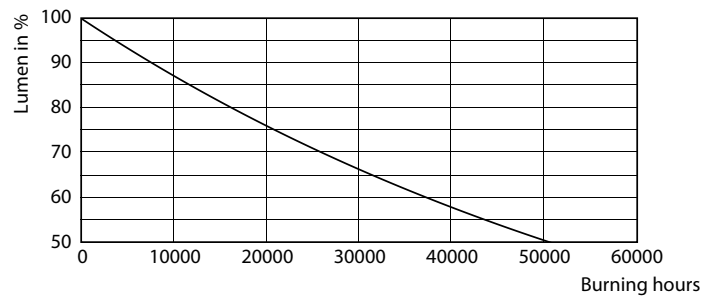


LEDspots 100W G53 AR111 930 45D

Lifetime



LEDspots LED 25K



LEDspots LMP 25K

