

# PRODUCT FAMILY DATASHEET

## LEDVANCE SURFACE CIRCULAR LED

LED wall and ceiling luminaires



---

### AREAS OF APPLICATION

- Corridors
- Stairways
- Bathrooms
- Foyers

---

### PRODUCT BENEFITS

- High luminous efficacy
- Energy savings of up to 55 % compared to conventional luminaires
- Easy and quick installation
- Very homogenous light
- LED protected for safe installation
- 3 years guarantee

---

### PRODUCT FEATURES

- Beam angle: 120°
- Type of protection: IP44
- Impact resistance: IK03
- Metal housing, PMMA cover
- Ambient temperature in operation: -20...+40 °C
- Versions with movement and daylight sensor available (microwave sensor)

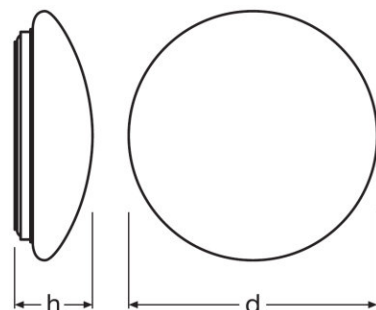
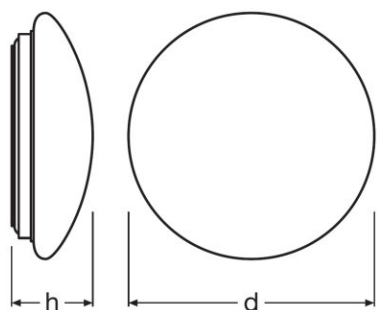


TECHNICAL DATA

Product description	Electrical data					Photometrical data				Light technical data	Dimensions & weight
	Operating mode	Nominal wattage	Nominal voltage	Power factor $\lambda$	Mains frequency	Color temperature	Luminous flux	Light color (designation)	Color rendering index Ra	Beam angle	Diameter
SURFACE-C LED 18 W 3000 K	Electronic control gear (ECG)	18.00 W	220...240 V	>0.5	50/60 Hz	3000 K	1440 lm	Warm White	>80	120 °	350.0 mm
SURFACE-C LED 18 W 4000 K	Electronic control gear (ECG)	18.00 W	220...240 V	>0.5	50/60 Hz	4000 K	1440 lm	Cool White	>80	120 °	350.0 mm
SURFACE-C LED 24 W 3000 K	Electronic control gear (ECG)	24.00 W	220...240 V	>0.5	50/60 Hz	3000 K	1920 lm	Warm White	>80	120 °	400.0 mm
SURFACE-C LED 24 W 3000 K SENSOR	Electronic control gear (ECG)	24.00 W	220...240 V	>0.5	50/60 Hz	3000 K	1920 lm	Warm White	>80	120 °	400.0 mm
SURFACE-C LED 24 W 4000 K	Electronic control gear (ECG)	24.00 W	220...240 V	>0.5	50/60 Hz	4000 K	1920 lm	Cool White	>80	120 °	400.0 mm
SURFACE-C LED 24 W 4000 K SENSOR	Electronic control gear (ECG)	24.00 W	220...240 V	>0.5	50/60 Hz	4000 K	1920 lm	Cool White	>80	120 °	400.0 mm

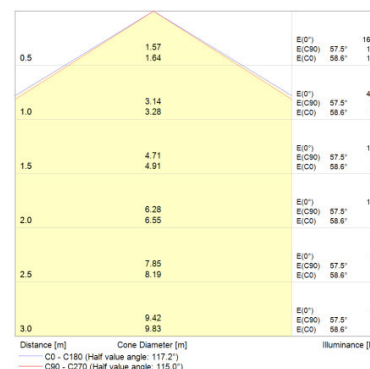
Product description	Height	Colors & materials		Temperatures & operating conditions	Lifespan			Number of switching cycles
		Body material	Product color	Ambient temperature range	Lifespan L70 at 25 °C	Lifespan L80 at 25 °C	Lifespan L90 at 25 °C	
SURFACE-C LED 18 W 3000 K	115.0 mm	Steel	White	-20...40 °C	50000 h	30000 h	15000 h	50000
SURFACE-C LED 18 W 4000 K	115.0 mm	Steel	White	-20...40 °C	50000 h	30000 h	15000 h	50000
SURFACE-C LED 24 W 3000 K	120.0 mm	Steel	White	-20...40 °C	50000 h	30000 h	15000 h	50000
SURFACE-C LED 24 W 3000 K SENSOR	120.0 mm	Steel	White	-20...40 °C	50000 h	30000 h	15000 h	50000
SURFACE-C LED 24 W 4000 K	120.0 mm	Steel	White	-20...40 °C	50000 h	30000 h	15000 h	50000
SURFACE-C LED 24 W 4000 K SENSOR	120.0 mm	Steel	White	-20...40 °C	50000 h	30000 h	15000 h	50000

Product description	Capabilities		Certificates & standards		
	Dimmable	Type of connection	Protection class	Type of protection	Standards
SURFACE-C LED 18 W 3000 K	No	Terminal, 3-pin	I	IP44	CE/CB/TÜV SÜD/EAC/RoHS
SURFACE-C LED 18 W 4000 K	No	Terminal, 3-pin	I	IP44	CE/CB/TÜV SÜD/EAC/RoHS
SURFACE-C LED 24 W 3000 K	No	Terminal, 3-pin	I	IP44	CE/CB/TÜV SÜD/EAC/RoHS
SURFACE-C LED 24 W 3000 K SENSOR	No	Terminal, 3-pin	I	IP44	CE/CB/TÜV SÜD/EAC/RoHS
SURFACE-C LED 24 W 4000 K	No	Terminal, 3-pin	I	IP44	CE/CB/TÜV SÜD/EAC/RoHS
SURFACE-C LED 24 W 4000 K SENSOR	No	Terminal, 3-pin	I	IP44	CE/CB/TÜV SÜD/EAC/RoHS

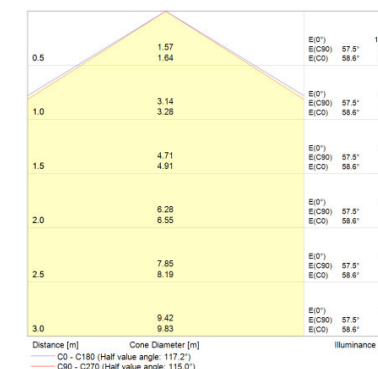


SURFACE-C LED 18 W 3000 K ,  
SURFACE-C LED 18 W 4000 K

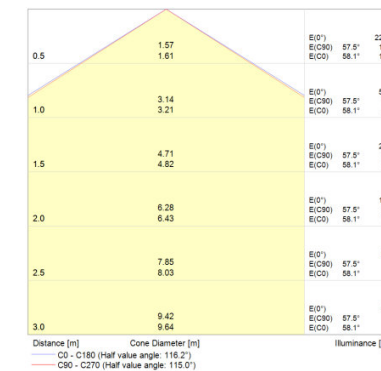
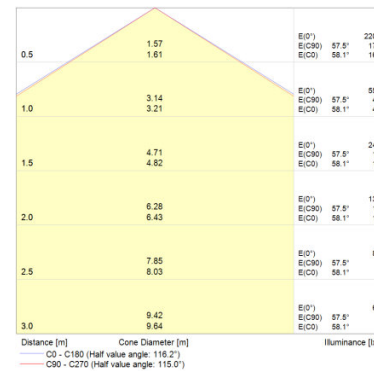
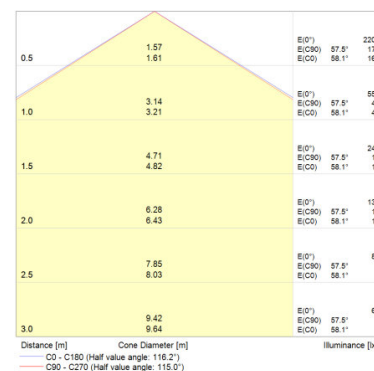
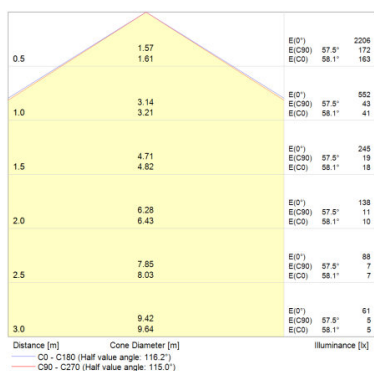
SURFACE-C LED 24 W 3000 K ,  
SURFACE-C LED 24 W 3000 K SENSOR,  
SURFACE-C LED 24 W 4000 K ,  
SURFACE-C LED 24 W 4000 K SENSOR



SURFACE-C LED 18 W 3000 K



SURFACE-C LED 18 W 4000 K



SURFACE-C LED 24 W 3000 K

SURFACE-C LED 24 W 3000 K SENSOR

SURFACE-C LED 24 W 4000 K

SURFACE-C LED 24 W 4000 K SENSOR

APPLICATION ADVICE

For more detailed application information and graphics please see product datasheet.

LOGISTICAL DATA

Product code	Product description	Packaging unit (Pieces/Unit)	Dimensions (length x width x height)	Volume	Gross weight
4058075000742	SURFACE-C LED 18 W 3000 K	Shipping carton box 5	625 mm x 410 mm x 410 mm	105.06 dm <sup>3</sup>	5200.00 g
4058075000766	SURFACE-C LED 18 W 4000 K	Shipping carton box 5	625 mm x 410 mm x 410 mm	105.06 dm <sup>3</sup>	4782.00 g
4058075000780	SURFACE-C LED 24 W 3000 K	Shipping carton box 5	700 mm x 450 mm x 460 mm	144.90 dm <sup>3</sup>	6756.00 g
4058075000827	SURFACE-C LED 24 W 3000 K SENSOR	Shipping carton box 5	700 mm x 450 mm x 460 mm	144.90 dm <sup>3</sup>	6976.00 g
4058075000803	SURFACE-C LED 24 W 4000 K	Shipping carton box 5	700 mm x 450 mm x 460 mm	144.90 dm <sup>3</sup>	6756.00 g

Product code	Product description	Packaging unit (Pieces/Unit)	Dimensions (length x width x height)	Volume	Gross weight
4058075000841	SURFACE-C LED 24 W 4000 K SENSOR	Shipping carton box 5	700 mm x 450 mm x 460 mm	144.90 dm <sup>3</sup>	6927.00 g

The mentioned product code describes the smallest quantity unit which can be ordered. One shipping unit can contain one or more single products. When placing an order, for the quantity please enter single or multiples of a shipping unit.

---

#### REFERENCES / LINKS

For Guarantee see

- ▶ [www.ledvance.com/guarantee](http://www.ledvance.com/guarantee)

---

#### DISCLAIMER

Subject to change without notice. Errors and omission excepted. Always make sure to use the most recent release.