



AIRFIELD LIGHTING



„ **NARVA manufaktur** ist ein exzellenter Partner für kundenspezifische Lösungen und zuverlässigen Service. Die Kombination aus jahrzehntelanger Erfahrung, das spezielle Know-how und die High-tech Lösungen der **vosla GmbH** sind der Schlüssel dafür.“

„ **NARVA manufaktur** is an excellent partner, providing customer-specific solutions and reliable service. Key to this is the combination of decades of experience, specialist expertise and the high-tech solutions of **vosla GmbH**.“

Gerhard Liebscher
Geschäftsführer, vosla GmbH



Contents

Halogen airfield lamps – Dichroic reflector	4
Halogen airfield lamps – Prefocus (Pk), cable connection	6
Halogen airfield lamps – Connector overview	9
Halogen airfield lamps – Bi-Pin	10
Conventional airfield lamps – Prefocus	12
Airfield lamps – Cross-reference/Replacement Guide	14

NARVA manufaktur – Made in Germany ●●●

NARVA manufaktur präsentiert die über 60 Jahre währende Tradition als Produzent hoch spezialisierter Lichtquellen. Dazu gehört eine umfangreiche Palette von Halogen- und Standard-Glühlampen für Flugplatz-Landebahnen und Rollweg-Markierungen. Der aktuelle Industrie-Standard garantiert jederzeit einen einfachen Austausch der Leuchtmittel und macht diese zur perfekten Lösung, um die Zuverlässigkeit der Landebahnen- und Rollwegbeleuchtung zu verbessern.

Neben vielen Lampen mit nochmals verlängerter Lebensdauer garantieren alle Produkte eine hohe Zuverlässigkeit, lange Austauschzyklen und geringe Wartungskosten. Die Leuchtmittel entsprechen den Anforderungen der FAA, der ICAO sowie vielen weiterführenden nationalen und internationalen Vorschriften.

Alle Produkte sind blei- und quecksilberfrei. Zahlreiche Zertifizierungen verdeutlichen die Präzision der Produkte von **NARVA manufaktur**, weltweite Referenzen unterstreichen ihre außergewöhnliche Qualität.

NARVA manufaktur presents its history as a producer of highly specialised light sources, a tradition that has been ongoing for more than 60 years. This includes an extensive range of halogen and standard light bulbs for airport runways and taxiway markings. The current industry standard ensures that all lamps can be replaced easily, making this the perfect solution for improving the reliability of runway and taxiway lighting.

In addition to the many lights that now have an even longer lifespan, all products guarantee a high level of reliability, long replacement cycles and low maintenance costs. The lamps meet the requirements of the FAA, the ICAO and many leading national and international regulations.

All products are lead- and mercury-free. Numerous certifications illustrate the precision of the products made by **NARVA manufaktur**, while worldwide references emphasize their exceptional quality.





HALOGEN AIRFIELD LAMPS

Dichroic reflector



Description:

Halogen airfield lamp with integrated reflector

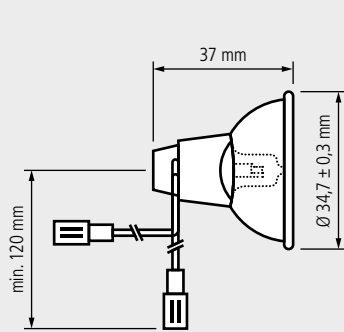
Features/Benefits:

- High and constant lumen output
- Long lifetime
- Excellent optical adjustment
- Strong focus light

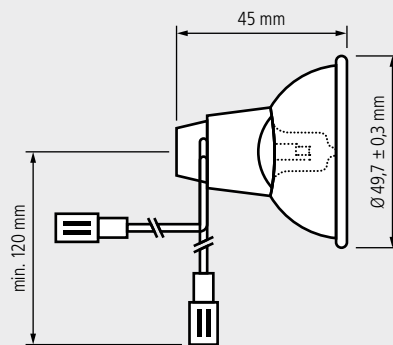
Application:

- Approach and threshold lights
- Runway and taxiway lights
- Stopbar and touch-down zone lights

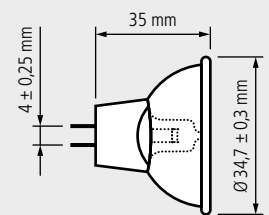




①



②



③

Type	Current A	Wattage W	Base	Axial light intensity kcd	Average life hrs.	Ordering number	
6144	6,6	30	cable flat female connector ³⁾	min. 16	1000	58334	②
58380	6,6	30	cable flat male connector ²⁾	min. 16	1000	58380	②
6137	6,6	35	GZ4	min. 4,5	1500	58314	③
6102	6,6	40	cable round female connector ¹⁾	min. 10,5	1500	58302	①
6104	6,6	40	cable flat male connector ²⁾	min. 10,5	1500	58303	①
6110	6,6	40	cable flat female connector ³⁾	min. 10,5	1500	58301	①
6145LL	6,6	45	cable flat female connector ³⁾	min. 19,0	2500	58381	②
6146LL	6,6	45	cable round female connector ¹⁾	min. 19,0	2500	58382	②
6101LL	6,6	48	cable flat female connector ³⁾	min. 20,0	2500	58304	②
6106LL	6,6	48	cable flat male connector ²⁾	min. 20,0	2500	58305	②
6107LL	6,6	48	cable round female connector ¹⁾	min. 20,0	2500	58306	②
6109	6,6	48	cable round female connector ¹⁾	min. 23,0	1000	58309	②
6143	6,6	48	cable flat female connector ⁶⁾	min. 23,0	1000	58333	②
58340	6,6	48	cable flat male connector ²⁾	min. 23,0	1000	58340	②
58356	6,6	48	cable flat female connector ³⁾	min. 23,0	1500	58356	②
6138	6,6	48	cable flat male / flat female ⁵⁾	min. 25,0	500	58317	②
6141	6,6	62	cable flat female connector ^{3) 4)}	-	1500	58335	②
6142	6,6	62	GX5,3	-	1500	58336	
6103	6,6	105	cable round female connector ¹⁾	min. 30,0	1000	58307	②
6105	6,6	105	cable flat female connector ³⁾	min. 30,0	1000	58308	②
6108	6,6	105	cable flat male connector ²⁾	min. 30,0	1000	58310	②

1) 4 mm diameter
 2) flat male connector, complying with DIN 46248
 3) flat female connector, complying with DIN 46247

4) 16" cable length
 5) with 60 mm sleeve
 6) with rectangular female connector



HALOGEN AIRFIELD LAMPS

Prefocus (Pk), cable connection



Description:

Halogen airfield lamp with prefocus base and cable connector

Features/Benefits:

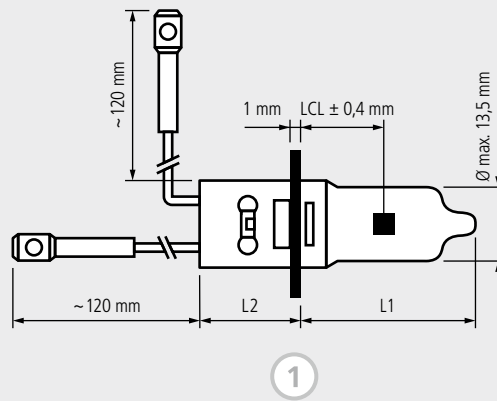
- High and constant lumen output
- Long lifetime
- Excellent optical adjustment
- Cement free prefocus base

Application:

- Approach and threshold lights
- Runway and taxiway lights
- Stopbar and touch-down zone lights
- Visual approach slope indicator systems (e.g. PAPI)



Type	L1 max.	L2 max.
6303	36 mm	20 mm
6130	28 mm	21 mm
6132	32 mm	21 mm
6133	32 mm	21 mm
6304	32 mm	21 mm
6125	32 mm	21 mm
6116	36 mm	17 mm
6121	32 mm	21 mm
6118	35 mm	21 mm
6392	35 mm	21 mm
6313	36 mm	21 mm
6117	36 mm	21 mm
6139	36 mm	21 mm



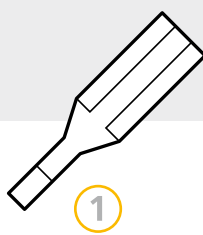
Type	Current A	Wattage W	Base	Connector	Lumens Lm	Average life hrs.	LCL mm	Filament	Ordering number
6303LL	6,6	45	Pk30d	male	800	2000	16	C-8	58326
6130LL	6,6	45	PK30d	female	800	2000	16	C-8	58328
6132LL	6,6	45	PK30d	female	800	2000	20	C-8	58330
6133LL	6,6	45	PK30d	male	800	2000	20	C-8	58331
6304LL	6,6	65	PK30d	male	1450	2000	20	CBAR-6	58337
6125LL	6,6	65	PK30d	female	1450	2000	20	CBAR-6	58338
6116LL	6,6	100	Pk30d	male	2700	2000	20	CBAR-6	58347
6121LL	6,6	100	PK30d	female	2700	2000	20	CBAR-6	58349
6118LL	6,6	150	PK30d	female	3600	2000	20	CBAR-6	58369
6392LL	6,6	150	PK30d	male	3600	2000	20	CBAR-6	58368
6313LL	6,6	200	Pk30d	male	4400	2000	20	CC-6	58376
6117LL	6,6	200	Pk30d	male	4800	2000	20	CC-6	58377
6139LL	6,6	200	Pk30d	female	4800	2000	20	CC-6	58378





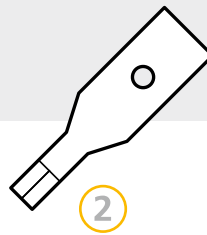
HALOGEN AIRFIELD LAMPS

Connector overview



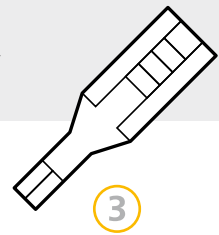
Round female connector

for contacts with 4 mm diameter



Flat male connector

complies with DIN 46248



Flat female connector

complies with DIN 46247



HALOGEN AIRFIELD LAMPS

Bi-Pin



Description:

Halogen airfield lamp with Bi-pin base

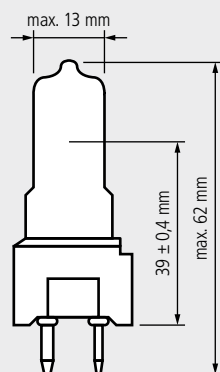
Features/Benefits:

- High and constant lumen output
- Long lifetime
- Small size

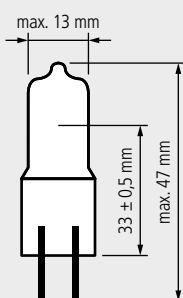
Application:

- Approach and threshold lights
- Runway and taxiway lights
- Obstruction lights

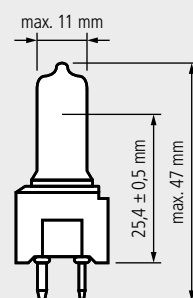




①



②



③

Type	LIF ANSI	Current A	Wattage W	Base	Lumens Lm	Average life hrs.	LCL mm	Filament	Ordering number	
6112LL	EXL	6,6	30	GZ9,5	375	2000	25,4	C-8	58312	③
6315	J1/75	6,6	36	G6,35	610	1500	33	C-8	58315	②
6123	J1/57	6,6	45	G6,35	840	1500	33	C-8	58323	②
6134LL	EXM	6,6	45	GZ9,5	800	1500	25,4	C-8	58325	③
6343	J1/58	6,6	100	G6,35	2300	1200	33	CBAR-6	58343	②
6128	EVV	6,6	120	GZ9,5	3150	500	39	CBAR-6	58355	①
6292	EWR	6,6	150	GZ9,5	3750	750	39	CBAR-6	58365	①
6373	J1/39	6,6	200	G6,35	4700	1200	33	CBAR-6	58373	②
6372LL	EZL	6,6	200	GZ9,5	5000	1300	39	CBAR-6	58374	①





CONVENTIONAL AIRFIELD LAMPS

Prefocus



Description:

Conventional incandescent airfield lamp

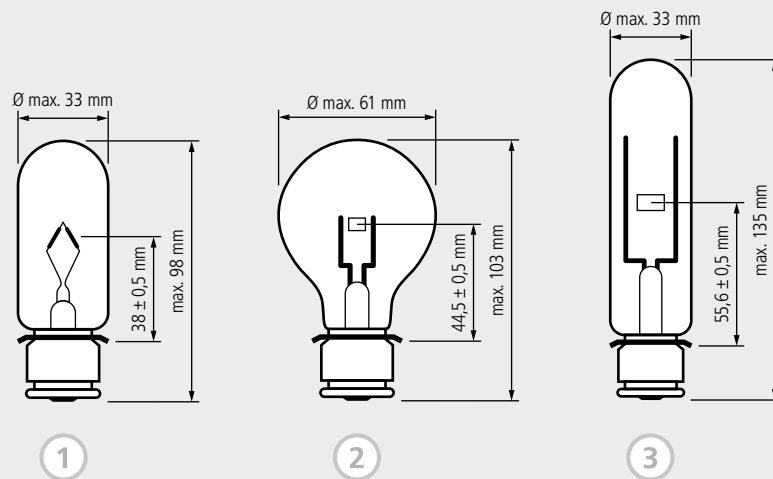
Features/Benefits:

- Lamp for constant current regulated series circuits

Application:

- Elevated approach lights
- Runway and taxiway lights
- Obstruction lights





Type	Current A	Wattage W	Base	Lumens Lm	Average life hrs.	LCL mm	Filament	Ordering number	
7669C	6,6	30	P28s	450	1000	38	C-2V	67830	①
7669H	6,6	30	P28s	450	2000	38		58318	①
7654C	6,6	45	P28s	730	1000	38	C-2V	67845	①
7654H	6,6	45	P28s	730	2000	38		58320	①
7668C	6,6	100	P28s	1850	1000	38	C-2V	67851	①
7670C	6,6	200	P28s	4600	200	44,5	CC-6	67860	②
6936C	6,6	210	P28s	4500	300	55,6	C-13	67861	③

Remark: bold marked types are Halogen Long life types



AIRFIELD LAMPS

Cross-reference/Replacement Guide



GE types	Equivalent NARVA types	SLI types	Equivalent NARVA types
EVV	6128	L2352 / 24522	6107
EWR	6292	L2354 / 21518	6139
EXL	6112	L2358 / 21496	6101
EXM	6134	L2359 / 21497	6106
EZL	6372	L2362 / 24526	6103
Q200/T4/CL	6372	L2368 / 21498	6105
Q6.6A45PK30d-m	6303	L2369 / 21499	6108
Q6.6A45PK30d-f	6130	L2370 / 21500	6102
Q6.6A100PK30d-m	6116	L2373 / 21483	6144
Q6.6A100PK30d-f	6121	L2500 / 21757	6112
Q6.6A150PK30d-m	6392	L2501 / 21686	6134
Q6.6A150PK30d-f	6118	L2502 / 24529	6292
Q6.6A200PK30d-m	6117	L2504 / 21696	6372
Q6.6A200PK30d-f	6139	L2505 / 24531	6128
6,6A/T10P	7654C or H	L2511 / 22214	6123
6,6A/T10/1P	7669C or H	L2513 / 22212	6343
6,6A/T10/2P	7668C	L2514 / 22211	6373
6,6A/T14P	-	L2517 / 21480	6315
6,6A/T14/2P	-		
6,6A/T14/3P	6936C		

OSRAM types	Equivalent NARVA types	OSRAM types	Equivalent NARVA types
58750	6372	64337 B 45-15	6146
58798	6128	64337 A 48-10	6143
64316	6133	64337 C 48-10	-
64317 C 45-10	6303	64337 A 48-15	58356
64317 IRC-A 45-30	6130	64337 B 48-15	6107
64317 IRC-C 45-30	6303	64337 C 48-15	6106
64318 A 45-10	6130	64338 AC	6138
64318 Z/C 45-10	6303	64339 A 105-10	6105
64319 A 45-10	6132	64339 B 105-10	6103
64319 Z/C 45-10	6133	64339 C 105-10	6108
64319 IRC-A 45-30	6132	64341 HLX-A 100-15	6121
64319 IRC-C 45-30	6133	64341 HLX-Z/C 100-15	6116
64320	6134	64342 HLX-A 100-15	6116
64321	6123	64342 HLX-C 100-15	6121
64322	6112	64346	6343
64328 HLX-A 65-10	6125	64354	6292
64328 HLX-Z/C 65-10	6304	64361 HLX-A 150-15	6118
64331 SP-A 30-10	6144	64361 HLX-Z/C 150-15	6392
64333 A 40-15	6110	64382 HLX-A 200-15	6139
64333 B 40-15	6102	64382 HLX-C 200-15	6117
64333 C 40-15	6104	64386	6373
64337 A 45-15	6145		

