



© Ralph Larrañaga



Your benefits

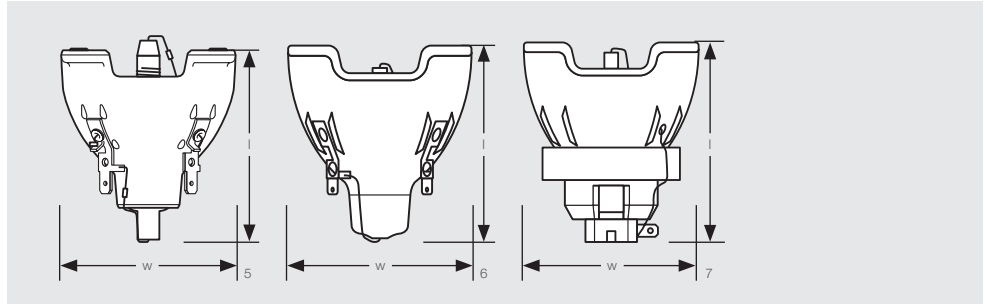
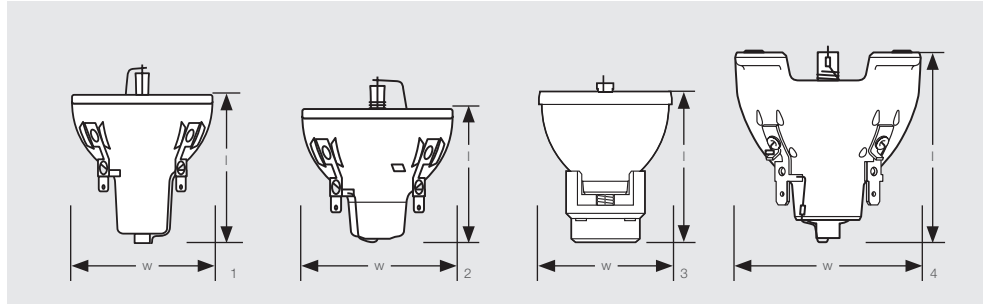
- Lightweight and compact reflector lamps with ECG
- Perfectly suited for small and lightweight moving heads
- Optimized burner design allows any burning position
- High luminance through very short arc and high pressure
- Bright light for brilliant light effects
- Long lifetime
- Easy lamp replacement
- Stable light output over the entire lifetime

Light is spectacular SIRIUS HRI[®] series

Compact reflector lamps with high light output for spectacular light effects – developed for small moving heads

Light is OSRAM

OSRAM



SIRIUS HRI®

Product	EAN10	Power (W)	Arc (mm)	Flux (lm)	Color temp. (K)	CRI	Average Lifetime (h)	Burning position	Length l (mm)	Width w (mm)	Standard Sales Pack/Pcs.	Fig. no.
SIRIUS HRI® 100W	4052899329119	100	1.0	3680	9000	60	6000	any	53	45	1	1
SIRIUS HRI® 132W	4052899028708	132	1.0	5150	9200	60	6000	any	44	46	1	2
SIRIUS HRI® 140W RO	4052899258969	140	1.0	5400	9200	60	6000	any	44	46	1	2
SIRIUS HRI® 190W +	4008321866592	190	0.8	8100	8200	73	3000	any	54.5	51	1	3
SIRIUS HRI® 230W	4008321810311	230	1.0	9500	8000	75	2500	any	54.5	51	1	3
SIRIUS HRI® 280W	4008321810342	280	0.9	11500	7800	78	2000	any	54.5	51	1	3
SIRIUS HRI® 280W RO	4052899110397	280	0.9	11500	7800	78	2000	any	54.5	51	1	3
SIRIUS HRI® 330W	4008321810373	330	1.0	18000	7400	86	1500	any	63	56	1	4
SIRIUS HRI® 330W XL	4052899195431	330	1.3	16500	7250	71	1500	any	63	56	1	5
SIRIUS HRI® 330W X8	4052899140295	330	1.2	18000	8000	85	1500	any	66	58	1	6
SIRIUS HRI® 440W	4052899222212	440	1.3	22000	7000	80	1500	any	71	58	1	7
SIRIUS HRI® 440W S	4052899329140	440	1.3	22800	7000	80	1500	any	71	58	1	7



To check if you've purchased a genuine OSRAM SIRIUS HRI® lamp, simply visit www.osram.com/trust-sirius and enter the unique serial code which you can find on the reflector.

www.osram.com/trust-sirius



OSRAM GmbH

Head office: Professional and Industrial Applications:

Marcel-Breuer-Strasse 6 Nonnendammallee 44
 80807 Munich, Germany 13625 Berlin
 Phone +49 89-6213-0
 Fax +49 89-6213-2020
www.osram.com

OSRAM

