

# UV-B, BL & BLB

## SPECIAL COATED LOW PRESSURE LAMPS

USHIO offers 3 types of special coated Low Pressure lamps: UV-B, BL, and BLB. These lamps are each coated with special blended phosphor to emit radiation peaking at 306nm (UV-B), 352nm (BL) or 368nm (BL & BLB).

The UV radiation emitted at specific wavelengths are used to create UV reaction and effects for various applications such as in Laboratory/Research, Industrial, Sanitation, Criminology, Cosmetics and Entertainment.

Manufacturing at an ISO9001 certified facility with tightly controlled manufacturing process, enables us to provide high quality lamps with reliable delivery to support your OEM product development as well as your daily operation.

These lamps are components which may be used by customers to manufacture a variety of finished products.

## FEATURES & BENEFITS:

- 3 Wavelength Variations: 306nm(UV-B), 352nm (UV-A) or 368nm(UV-A)
- Specially Blended Phosphor Coating for Maximum UV Effect and Output
- Low Mercury Dose to Meet Environmental Demands
- Large Production Capacity Providing Lamps With Consistent Quality and Reliable Delivery
- Flexible Design Capability for Custom Lamp Development

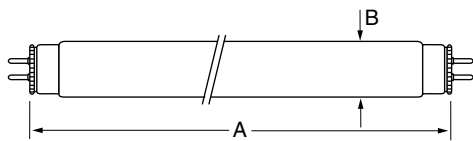
## APPLICATIONS:

- UV Curing
- Detection
- Inspection
- Insect Luring
- Photochemistry
- Chromatography
- Phototherapy
- Dermatology
- Laboratory/Research
- Fluorescence Analysis
- Fluorescence Display
- Fluorescence Illumination
- Non-Destructive Testing
- Special Effects in Theatrical Presentation

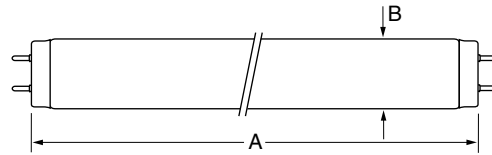


# UV-B, BL & BLB

## Special Coated Low Pressure Lamps



**Miniature Bi-Pin G5 Base**  
T5



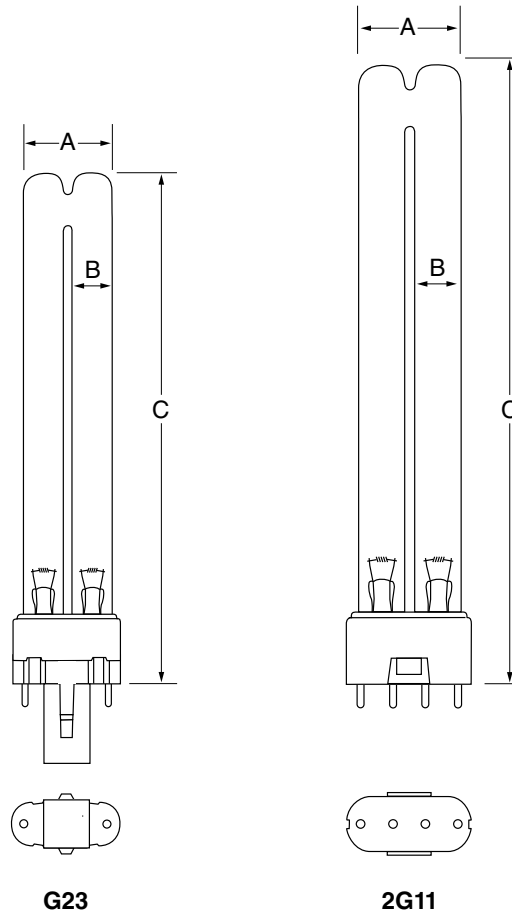
**Medium Bi-Pin G13 Base**  
T8 and T10

Ordering Code	Lamp Description	Dimensions		Watts (W)	Lamp Current (A)	Volts (V)	Spectral Peak (nm)	UV Output (W)	Avg Life (h)	Base Type		
		Length (A) (mm)	Diameter (B) (in)									
<b>UV-B (306nm) Midrange Lamp</b>												
3000318	G8T5E	287.0	11.30	15.5	0.61	7.2	0.145	57	306	1.4	3000	G5
3000319	G15T8E	436.0	17.17	25.5	1.00	14.7	0.300	55	306	3.0	4000	G13
3000335	G25T8E	436.0	17.17	25.5	1.00	25.0	0.600	52	306	3.9	3000	G13
<b>Half Coat (254nm/352nm)</b>												
3000333	G4T5/HC	134.5	5.30	15.5	0.61	4.5	0.170	29	254 / 352	0.4 / 0.2	3000	G5
<b>Blacklight T5 Diameter</b>												
3000105	F4T5BL	134.5	5.30	15.5	0.61	4.5	0.170	29	352**	0.5	3000	G5
3000110	F6T5BL	210.5	8.29	15.5	0.61	6.0	0.160	42	352**	1.0	3000	G5
3000115	F8T5BL	287.0	11.30	15.5	0.61	7.2	0.145	57	352**	1.2	3000	G5
<b>Blacklight T8 Diameter</b>												
3000077	F15T8BL	436.0	17.17	25.5	1.00	15.0	0.305	55	352**	2.6	4000	G13
<b>Blacklight Blue T5 Diameter</b>												
3000106	F4T5BLB	134.5	5.30	15.5	0.61	4.5	0.170	29	368	0.5	3000	G5
3000111	F6T5BLB	210.5	8.29	15.5	0.61	6.0	0.160	42	368	1.0	3000	G5
3000116	F8T5BLB	287.0	11.30	15.5	0.61	7.2	0.145	57	368	1.2	3000	G5
<b>Blacklight Blue T8 Diameter</b>												
3000305	F10T8BLB	330.0	12.99	25.5	1.00	9.5	0.230	46	368	1.5	4000	G13
3000078	F15T8BLB	436.0	17.17	25.5	1.00	15.0	0.305	55	368	2.6	4000	G13
3000148	F30T8BLB	893.0	35.16	25.5	1.00	30.5	0.355	99	368	6.3	4000	G13
<b>Blacklight Blue T10 Diameter</b>												
3000306	F20T10BLB	588.5	23.17	32.5	1.28	19.0	0.360	58	368	3.7	4000	G13

\*\* 368nm available upon request

# UV-B, BL & BLB

## Special Coated Low Pressure Lamps



Ordering Code	Lamp Description	Dimensions						Watts (W)	Lamp Current (A)	Volts (V)	Spectral Peak (nm)	UV Output (W)	Avg Life (h)	Base Type
		Diameter (A)		Diameter (B)		Length (C)								
<b>Blacklight Blue, Compact</b>														
3000330	FPX7BLB	28.0	1.10	13.0	0.51	115.0	4.53	7.0	0.180	45	368	1.0	4000	G23
3000325	FPX9BLB	28.0	1.10	13.0	0.51	145.0	5.71	9.0	0.180	59	368	1.4	4000	G23
3000327	FPX18KBLB	40.0	1.57	20.0	0.79	225.0	8.86	18.0	0.375	58	368	3.3	4000	2G11

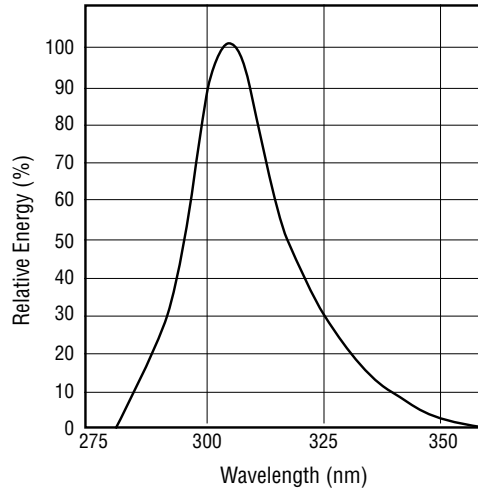
Average lamp life and output measurements taken under laboratory conditions in open air.  
Lamps are cycled for 2 hours and 45 minutes on / 15 minutes off when testing life and output.  
Lamp data is for reference only. Actual lamp performance depends on system design and operating conditions.

**WARNING:** Protect your eyes and skin when operating UV-B & BL lamps.  
Equipment should be designed to completely screen or filter UV radiation.

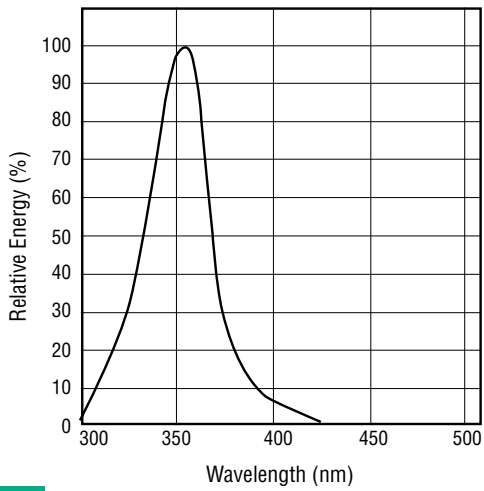
# UV-B, BL & BLB

## Special Coated Low Pressure Lamps

**UV-B Lamp  
306nm**



**Blacklight Lamp (BL)  
352nm**



**Blacklight Blue Lamp (BLB)  
368nm**

